

NEW!



# ENOC F3

## BASIC FLOOR CABINET



### F3

Height: 24HU & 42HU  
Width: 600 & 800 mm  
Depth: 600, 800 & 1000 mm

### EASY ASSEMBLY

Modular design  
Easy to assemble and dismantle  
Most accessories from F1 fits F3

### COLOR

Black  
Other RAL-colors  
on request

F3 is an all new series of floor standing 19" cabinets. F3 "borrows" many functions from the high end F1 cabinet but in a more basic form. Meaning most corner post-based and 19" profile-based accessories will fit both F3 and F1. The new F3 floor cabinet has a unique design and is built with a hybrid between aluminum and steel. Our modular thinking offers most versions on request. At Enoc we are committed to finding the solution that best fits you. That is what we call "The Enoc Way".



[ENOCSYSTEM.COM](http://ENOCSYSTEM.COM)

**ENOC**

DETAILS MAKE THE DIFFERENCE



# TECHNICAL INFORMATION

## ENOC F3 BASIC FLOOR CABINET



### SIZES

Height: 24HU & 42HU  
Width: 600 & 800 mm  
Depth: 600, 800 & 1000 mm  
Other sizes available on request

### PROTECTION CLASS

IP20

### COLOR

Black RAL9005  
Other colors on request

### MAXIMUM STATIC LOAD

800 kg, divided on 4 19" profiles

### TECHNICAL INFORMATION

- F3 is built with aluminum profiles and steel.
- Screw assembled frame with aluminum profiles, steel sheet profiles and die-cast zinc corners. The frame has two integrated vertical screw pockets in each corner profile.
- The 19" profiles can be steplessly repositioned through the depth of the enclosure. The depth profiles have markings for precise positioning of the 19" profiles. The 19" profiles are numbered in height units.
- F3 contains one pair of 19" profiles (600 and 800 mm deep) or two pairs of 19" profiles (1000 mm deep). One pair is preinstalled at a depth of 100 mm from the front of the enclosure and the other pair is pre-installed 740 mm further in.
- M10 thread in each corner both in the bottom and top for accessory fixing.
- 1 central earthing point M5 in corner upright.

### FRONT DOOR

- Front door is made of 4 mm clear safety glass glued into an aluminum profiles left and right.
- LS 19 locking wing with C101 safety cylinder. LS 85 can be installed as accessory. Integrated quick lock system allows door to be removed without use of tools.
- Door opening angle >180 degrees in single enclosure configuration. Right hinged, can be rehung to be left hinged.

### BACK DOOR

- Back door is made of 1 mm sheet steel.
- LS 39 lock with C101 safety cylinder. LS 85 can be installed as accessory. Integrated quick lock system allows door to be removed without use of tools.
- Door opening angle >180 degrees in single enclosure configuration. Right hinged, can be re-hung to be left hinged.

### SIDE PANELS

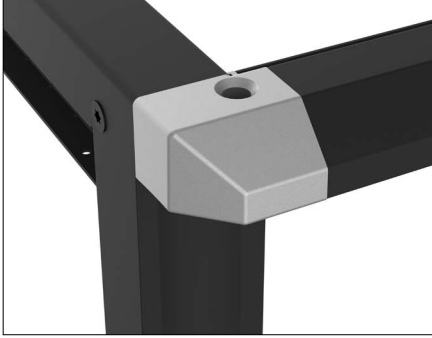
- Sheet steel side panels, easy to detach and one lock lockable from inside and one slotted lock.
- LS 29 with C101 safety cylinder available as accessory.

### ROOF

- Roof with cutout cable entrance in rear, left and right. One cutout to fit FPME or VPE accessory.
- Brush list available as accessory.



## FRAME ENOC F3 BASIC FLOOR CABINET



### **STABLE - 800 KG LOAD CAPACITY**

Aluminum profiles and steel sheet profiles fixed with zinc corner makes a stable frame with 800 kg load capacity.

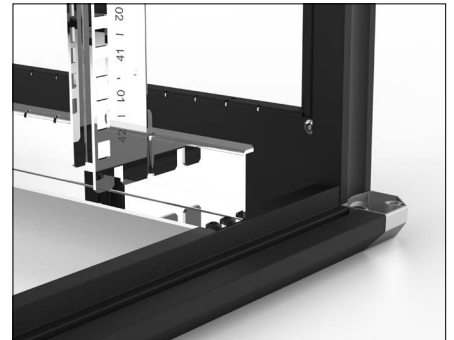
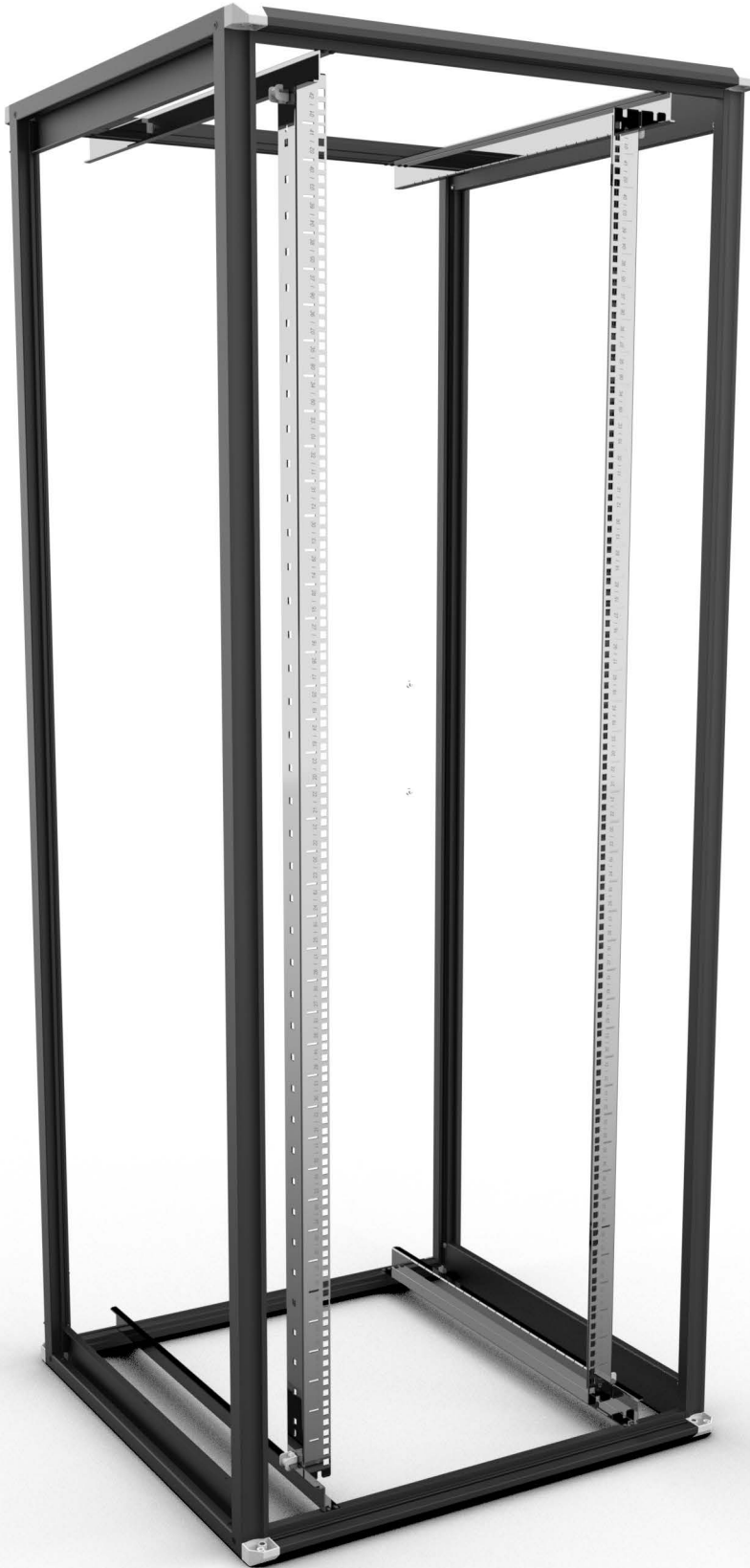


### **ACCESSORY FIXING**

M10 thread in all four corners top and bottom. With the same dimensions as F1/S1, meaning that all accessories can be used in both series. Example: Plinth SOP, Support feet SF, Wheels DH etc.



## INTERIOR ENOC F3 BASIC FLOOR CABINET



### **OPEN AND FLEXIBLE**

19" profiles fixed in top and bottom only. Enables fully flexible cable management and accessory fixing. Stepless positioning in the full depth of the cabinet.

### **FULL 19" ACCESSORY CARRY OVER FROM F1**

Thanks to using the same 19" profiles as F1 (with HU marking) all 19" and side of 19" fixing of accessories.

### **FULL FRAME BASED CARRY OVER OF ACCESSORY FROM F1**

Screw pockets in vertical aluminum profiles in the same dimension and position as F1 makes it possible to fix the same frame fixed accessories as F1.



## DOORS AND SIDE PANELS ENOC F3 BASIC FLOOR CABINET



### GLASS DOOR FRONT AND METAL DOOR BACK

Clear glass front door with aluminum sides and quick lock system. LS 19/39 lock with C101 security cylinder. LS 85 can be fitted as accessory.

### METAL SIDE PANELS WITH SLOTTED LOCK REAR AND BLIND LOCK OPENED FROM INSIDE IN FRONT

Recessed side panels fixed in the frame in bottom and locked to the frame in the upper part.





## ROOF ENOC F3 BASIC FLOOR CABINET



### STABLE AND VERSATILE CABLE ENTRANCE

One single sheet metal roof plate with cutout cable entries in back, left and right. Brush list can be fitted as accessory.

### ACCESSORY FIXING

Central cutout to fix FPME fan package or VPE ventilation plate.



## TECHNICAL DATA

### F3 BLACK

NAME	ART. NO.	EAN	W x D x H (mm)	HU
F3 6612-S	57551	7330701104503	600x600x1200	24 (1 pair)
F3 8812-S	57557	7330701104565	800x800x1200	24 (1 pair)
F3 6620-S	57561	7330701104602	600x600x2000	42 (1 pair)
F3 8820-S	57567	7330701104664	800x800x2000	42 (1 pair)
F3 61020-S	57564	7330701104633	600x1000x2000	42 (2 pairs)
F3 81020-S	57569	7330701104688	800x1000x2000	42 (2 pairs)
F3 8820-S-4PR	57570	7330701104695	800x800x2000	42 (2 pairs)

### F3 UNIQUE ACCESSORIES

NAME	ART. NO.	EAN	NOTE
LS 29	50830	7330701044694	C101 keylock for side panel (1 pcs*)
BLF3	57591	7330701104909	Brush list for cutouts of roof**
Cam LS 85 GD	50825	7330701044649	Cam to use with LS 85 on GD
Cam LS 85 PD/VD	50826	7330701044656	Cam to use with LS 85 on PD or VD
Cam LS 85 PDD/VDD	50827	7330701044663	Cam to use with LS 85 on PDD or VDD

\* One side panel requires 2 pcs

\*\* Same brush list as F1 series

## DETAILS MAKE THE DIFFERENCE

A unique modular system with endless possibilities. Meaning superb flexibility in design, construction, details and manufacturing to meet our customer's needs.

That's what we call "The Enoc Way".