

Datasheet

LS 95 Lock system From Enoc System

By
Patrik Andersson
Technical Manager





LS 95

LS 95 is a lifthandle installed as standard in front doors of F1 and Fs1. And in front and rear doors of S1.

- Made of die casted zinc and plastic.
- Surface treatment, textured black, RAL 9005.
- Standard lock cylinder C101 with two keys included.
- Possible to change to DIN 18252 half-cylinder as standard.
- ADA adapter kits for ASSA, RUKO, ABLOY and pushbutton available as accessory.
- Ingress protection class IP 54.

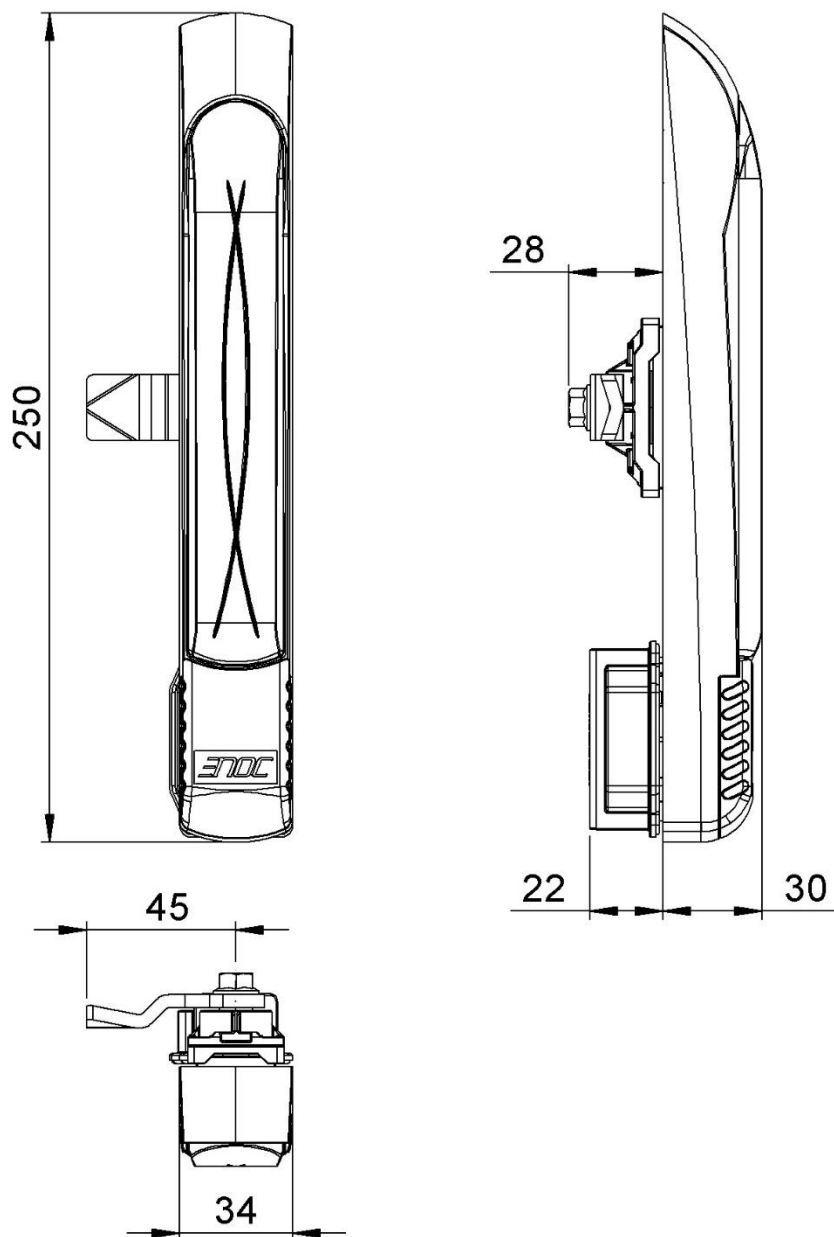


Technical data

Name	Art No	Ean	E number
LS 95 X1	50841	7330701044168	2506162
Key C101	50870	7330701044458	2501744

Deliverydescription LS 95 X1

- Complete LS 95 lift handle
- Lock with securitycylinder C101
- 2 keys C101
- Cam for F1/S1 cabinets



Accessories

ADA 01 LS 95

Adapter kit to be fitted in LS 95 locking handle.

- To fit ASSA, RUKO, ABLOY cylinders in LS 95.
- Cylinder not included.
- Made of plastic, black, RAL 9005.



Name	Art No	Ean	E number
ADA 01 FOR LS 95	50843	7330701044182	2506163



Accessories

ADA 04 LS 95

Adapter kit to be fitted in LS 95 locking handle.

- Pushbutton, to replace C101 locking cylinder in LS 95
- Made of plastic, black, RAL 9005



Name	Art No	Ean	E number
ADA 04 FOR LS 95	50844	7330701044199	2506164



Accessories

TPL X1 G2

Three-point locking kit for LS 95 and F1/S1.

- Kit including cam, rods, guides and all fixing material. Works with single and vertically divided F1/S1 doors.
- LS 95 X1 not included.



Name	Art No	Ean	E number	Cabinet height
TPL 10 X1 G2	50871	7330701044809	2506165	1000 mm
TPL 12 X1 G2	50872	7330701044816	2506166	1200 mm
TPL 14 X1 G2	50873	7330701044823	2506167	1400 mm
TPL 16 X1 G2	50874	7330701044830	2506168	1600 mm
TPL 18 X1 G2	50875	7330701044847	2506169	1800 mm
TPL 20 X1 G2	50876	7330701044854	2506170	2000 mm
TPL 22 X1 G2	50877	7330701044861	2506171	2200 mm

