

Datasheet

SVK

19" Swingframe

From Enoc System

By
Patrik Andersson
Technical Manager



SVK

SVK is a 19" swingframe for F1/S1.

A swing frame is ideal for accessing the rear of the installed equipment in installations where it is not possible to access the cabinet from rear.

The kit is complete for retrofitting in F1/S1 cabinets but it can also be ordered as preinstalled.

SVK

- Complete swing frame kit including all fixing material.
- 19", 38 HU (2000mm high cabinet)
- Selectable pivoting point, central or left/right.
- Slot cylinder lock for holding the swing frame in closed position in top and bottom.
- Made of galvanized steel sheet
- Load capacity up to 150kg (for details see below)
- Opening angle up to 160° (for details see below)



Load capacity, build in depth and opening angle

Load capacity

- Central pivoting point: 150 kg (evenly distributed in depth/height)
- Left/Right pivoting point: 100 kg (evenly distributed in depth/height)

Build in depth and opening angle

The build in depth and opening angle is depending on pivoting point position and how deep the swing frame is fitted in the frame of F1/S1.

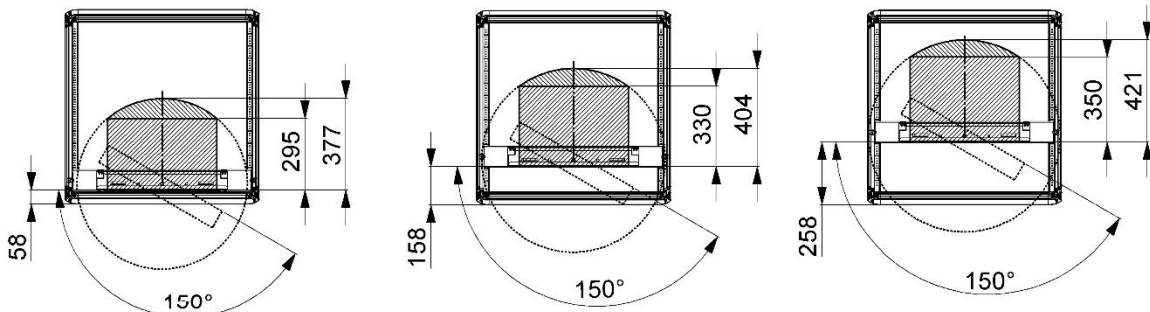
Central pivoting:

- | | | |
|----------------------------|-----------------------|--------------------|
| - 58 mm from front plane: | 295 mm build in depth | 150° opening angle |
| - 158 mm from front plane: | 330 mm build in depth | 150° opening angle |
| - 258 mm from front plane: | 350 mm build in depth | 150° opening angle |

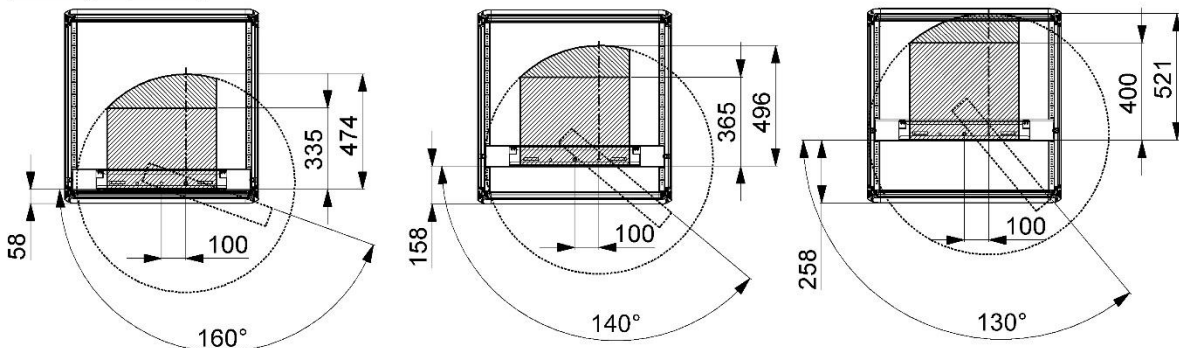
Left/Right pivoting:

- | | | |
|----------------------------|-----------------------|--------------------|
| - 58 mm from front plane: | 335 mm build in depth | 160° opening angle |
| - 158 mm from front plane: | 360 mm build in depth | 140° opening angle |
| - 258 mm from front plane: | 400 mm build in depth | 130° opening angle |

Central pivoting



Left/Right pivoting



Technical data

Name	Art. No	Ean	E number	For F1/S1 size WxDxH (mm)	HU
SVK 8620 X1	56861	7330701093609	2501036	800x600x2000	38
SVK 8820 X1	56862	7330701093616	2501037	800x800x2000	38
SVK 81020 X1	56863	7330701093623	2501038	800x1000x2000	38
SVK 81220 X1	56864	7330701093630	2501039	800x1200x2000	38

Delivery description SVK

- Complete Swing frame
- Fixing material
- Assembly instruction

