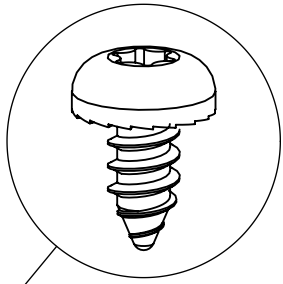
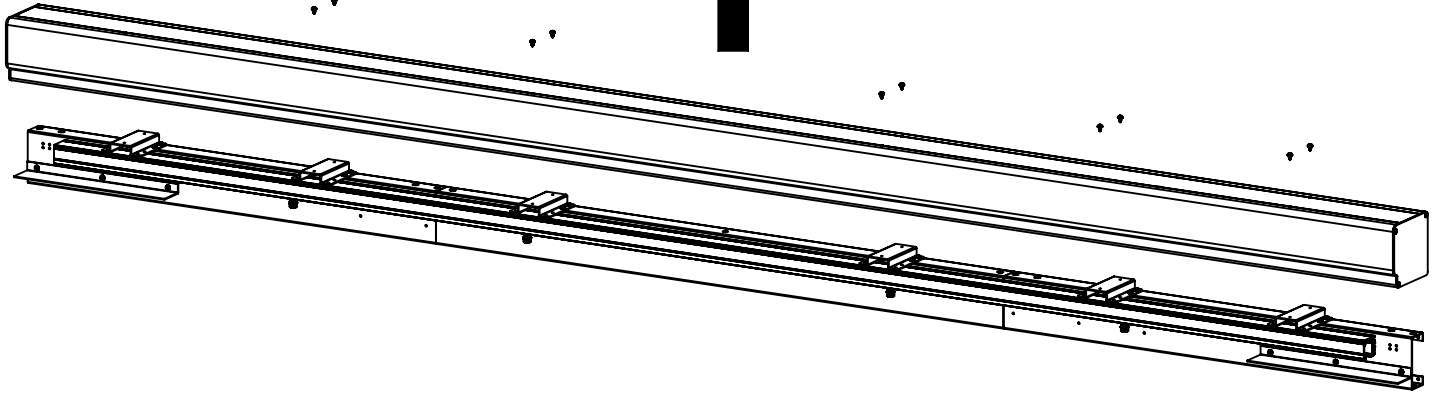


	Point
Manual	1 - 8 & 34
Synchronic	1 - 13 & 34
Self Closing (including Synchronic)	1 - 14 & 34
Automatic	1 - 8 & 15 - 34

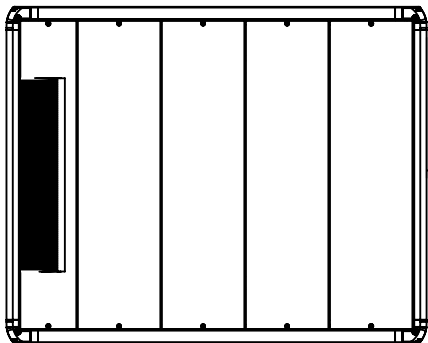
1



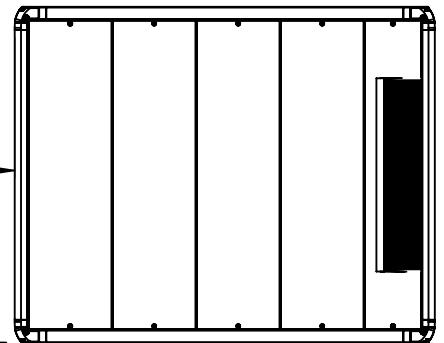
x12



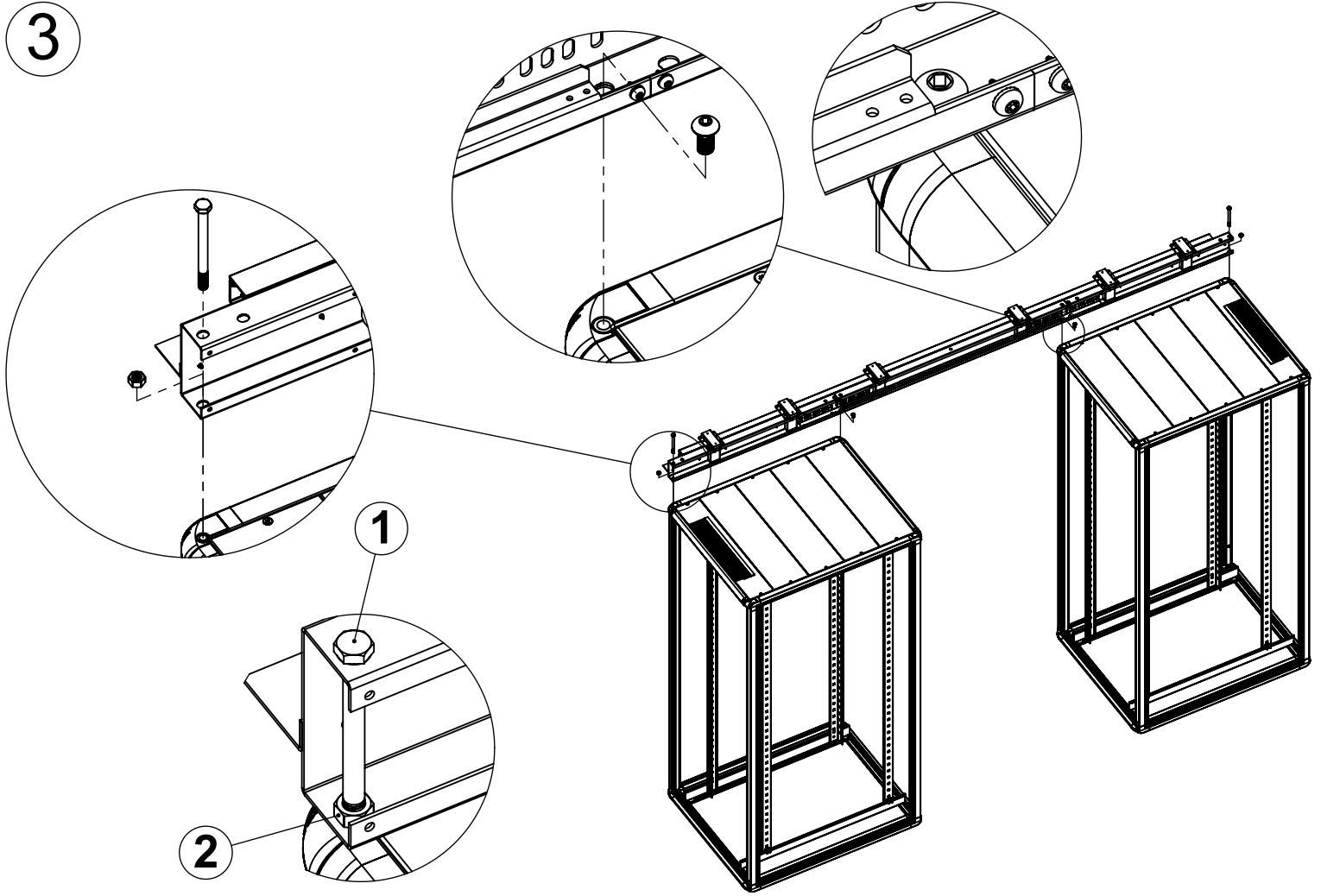
2



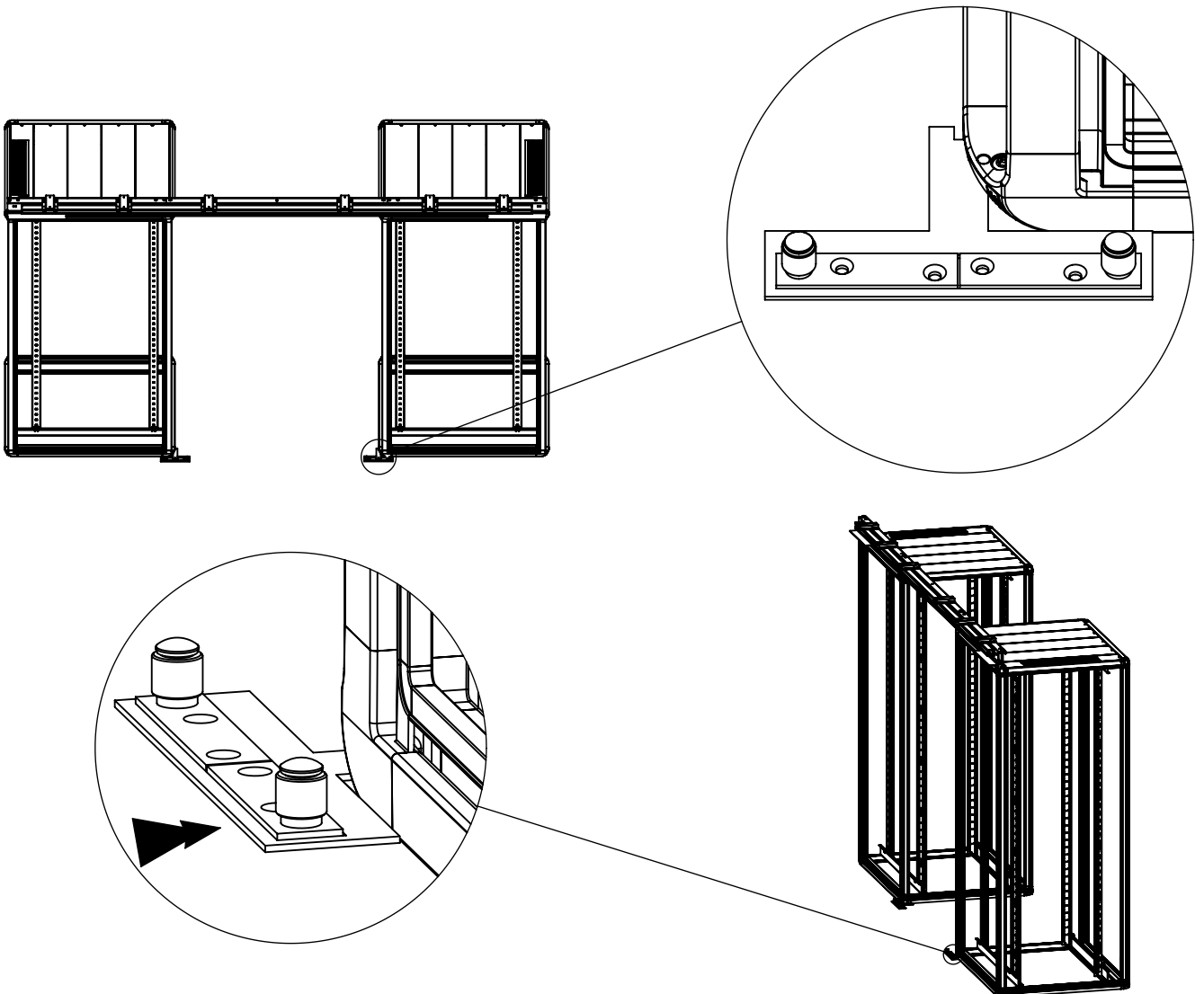
1200



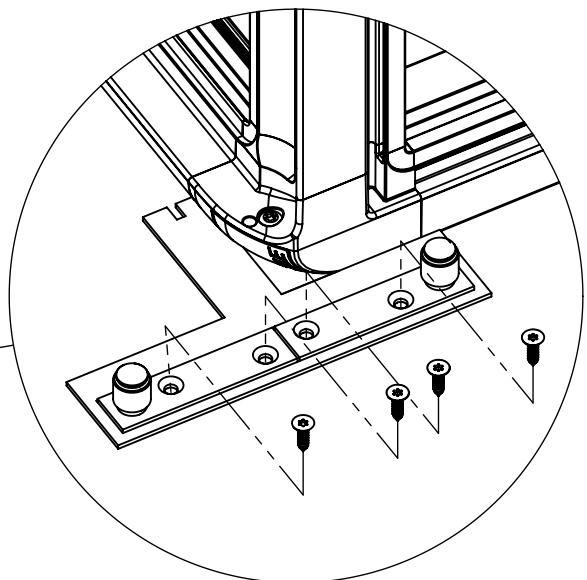
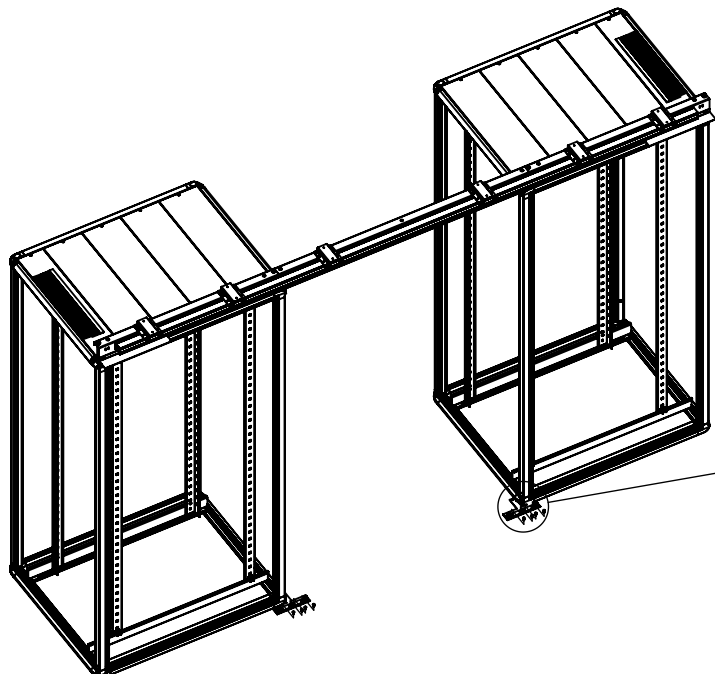
3



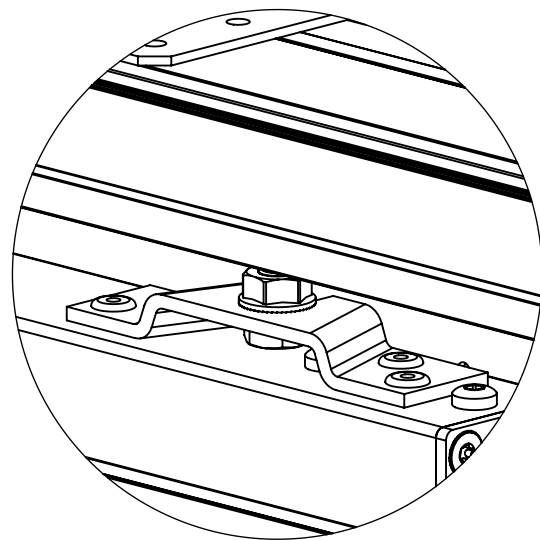
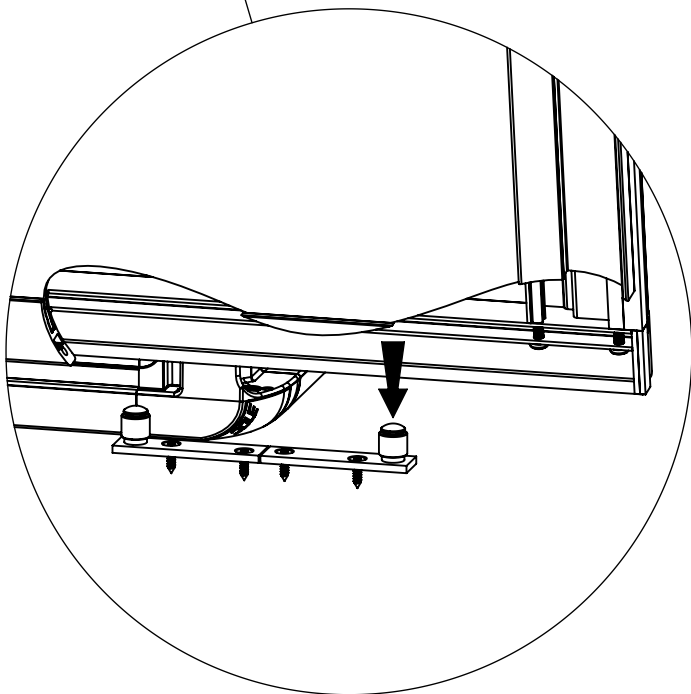
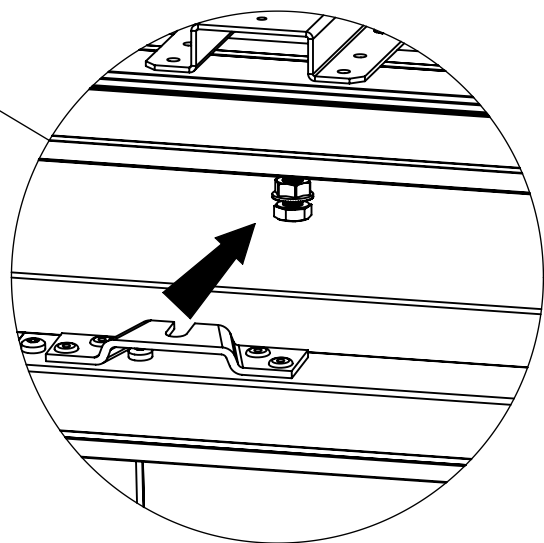
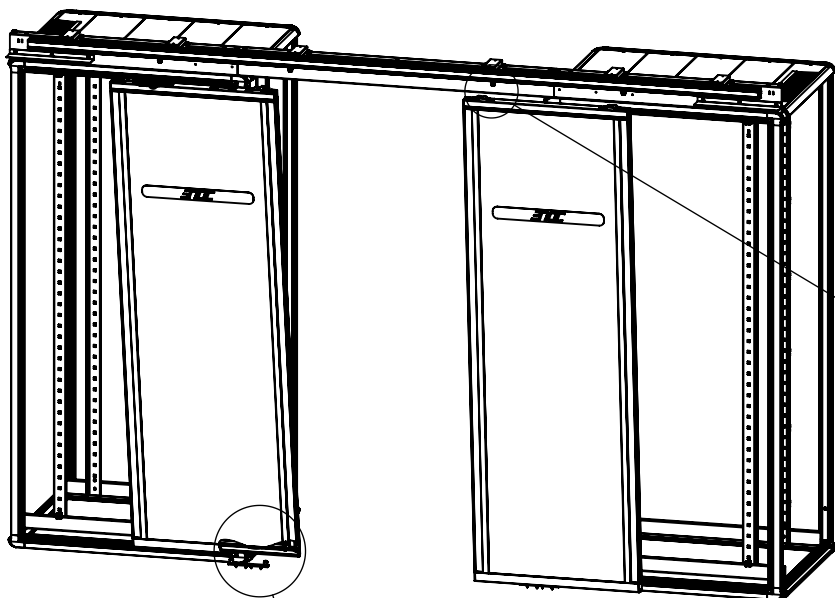
4



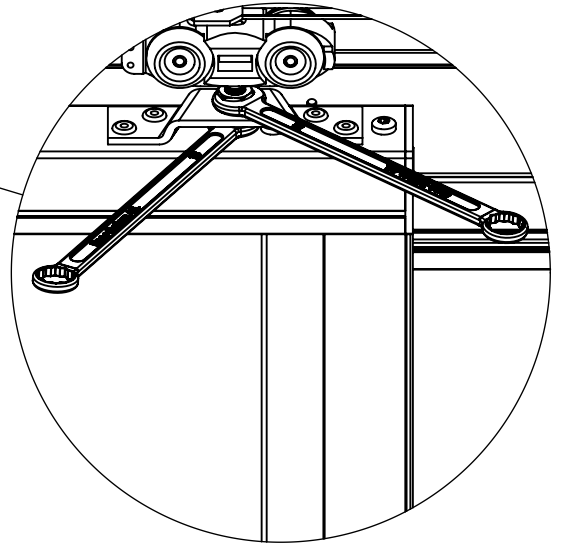
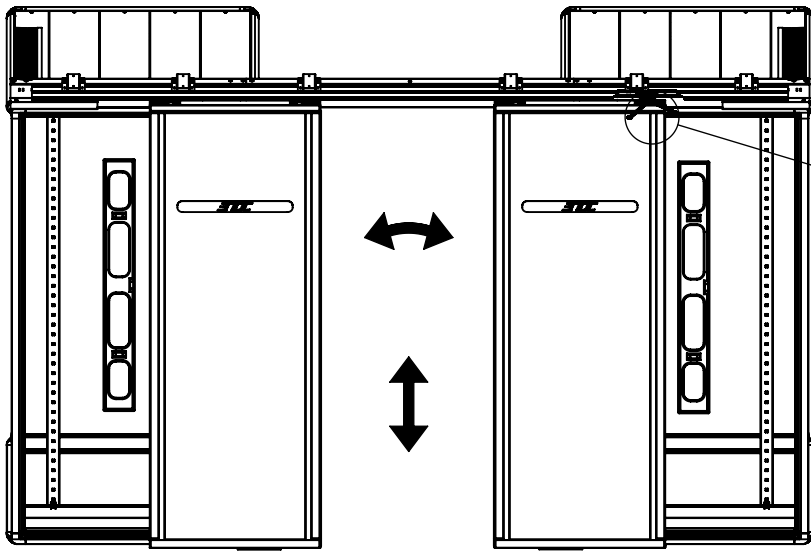
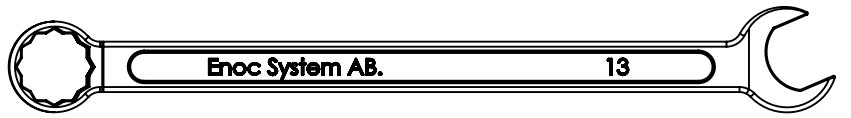
5



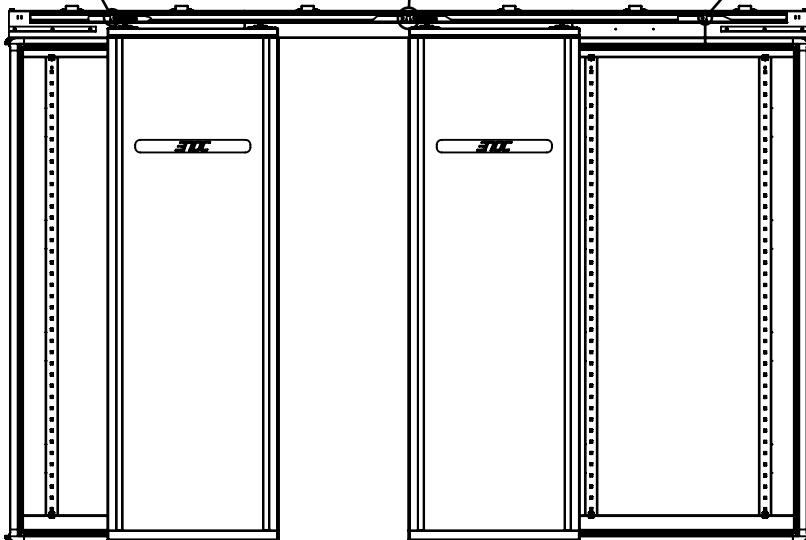
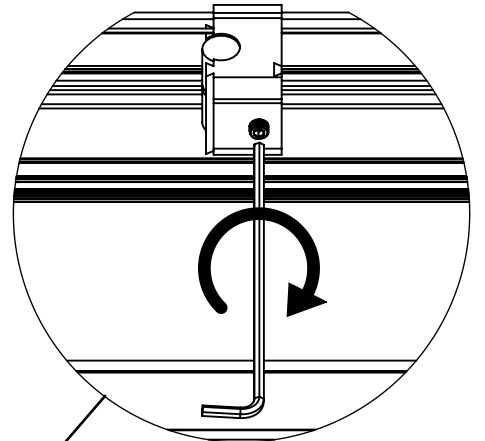
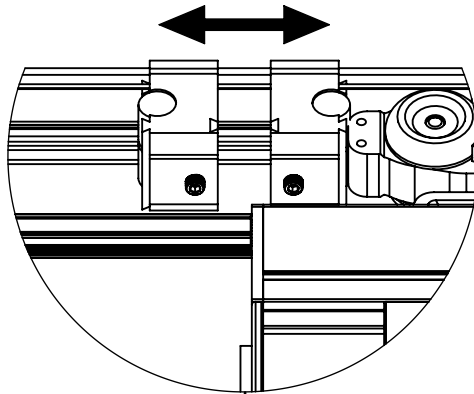
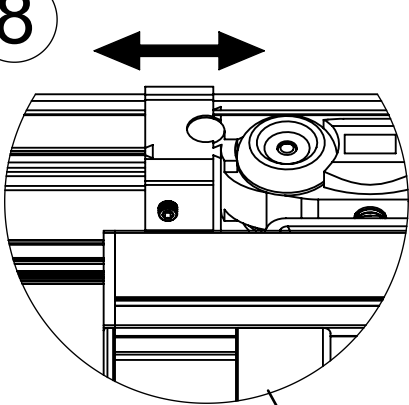
6



7

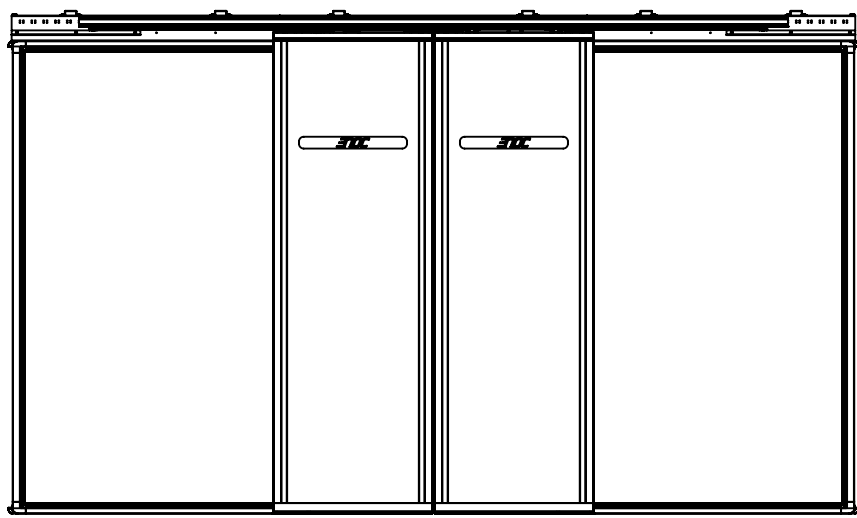


8

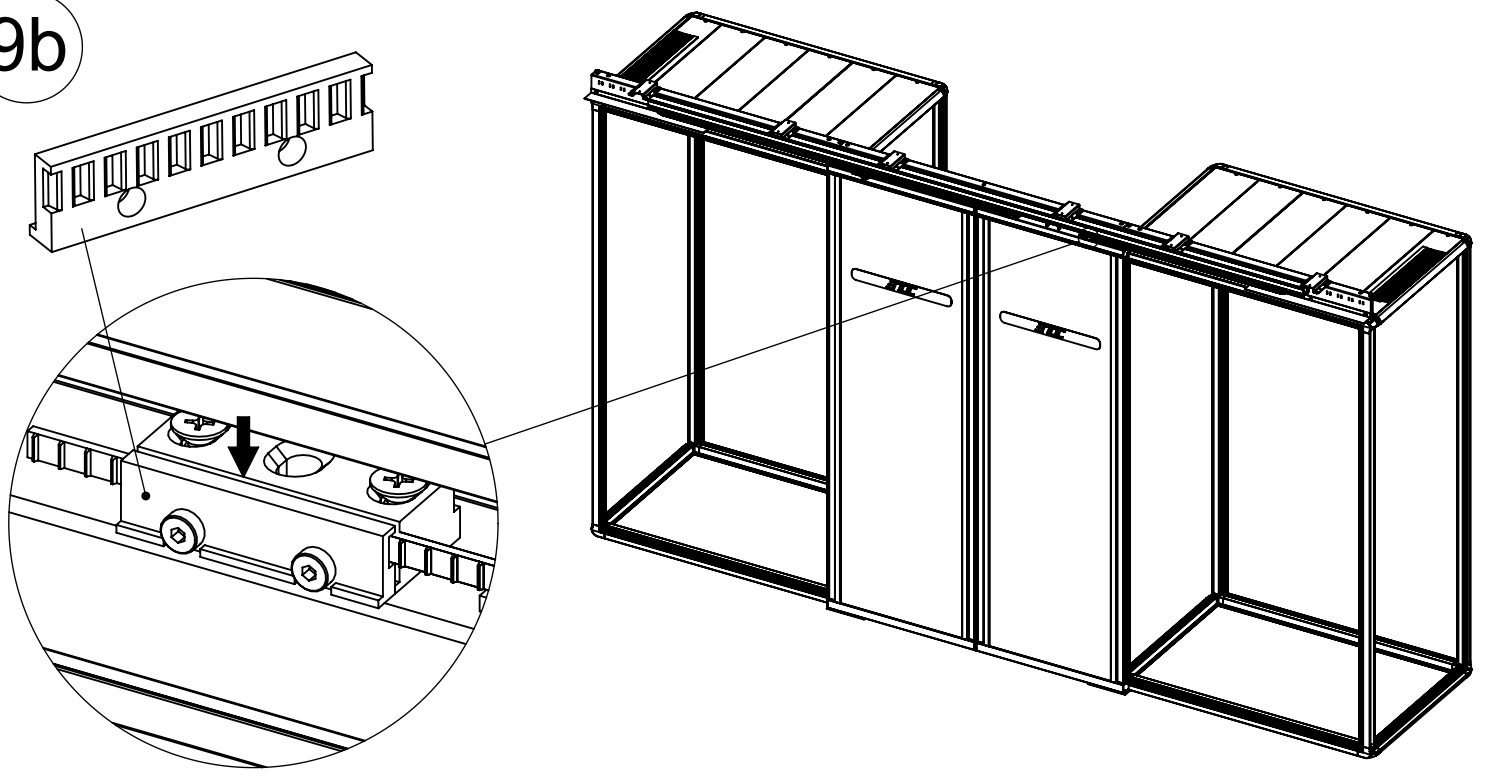


9

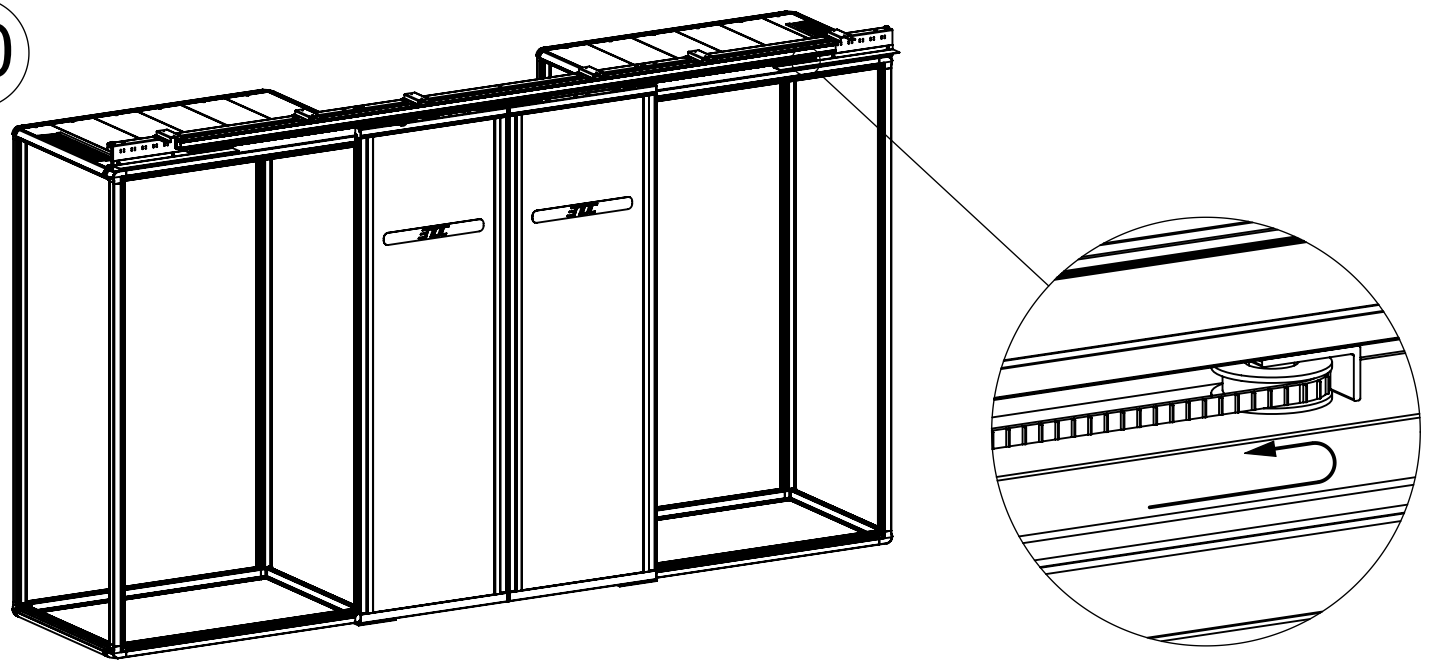
Synchronic



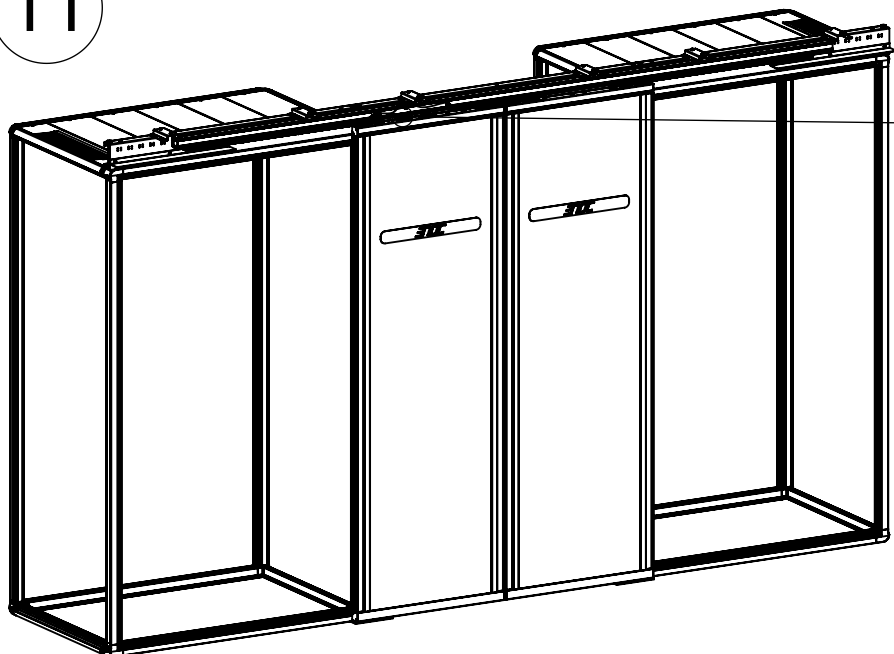
9b



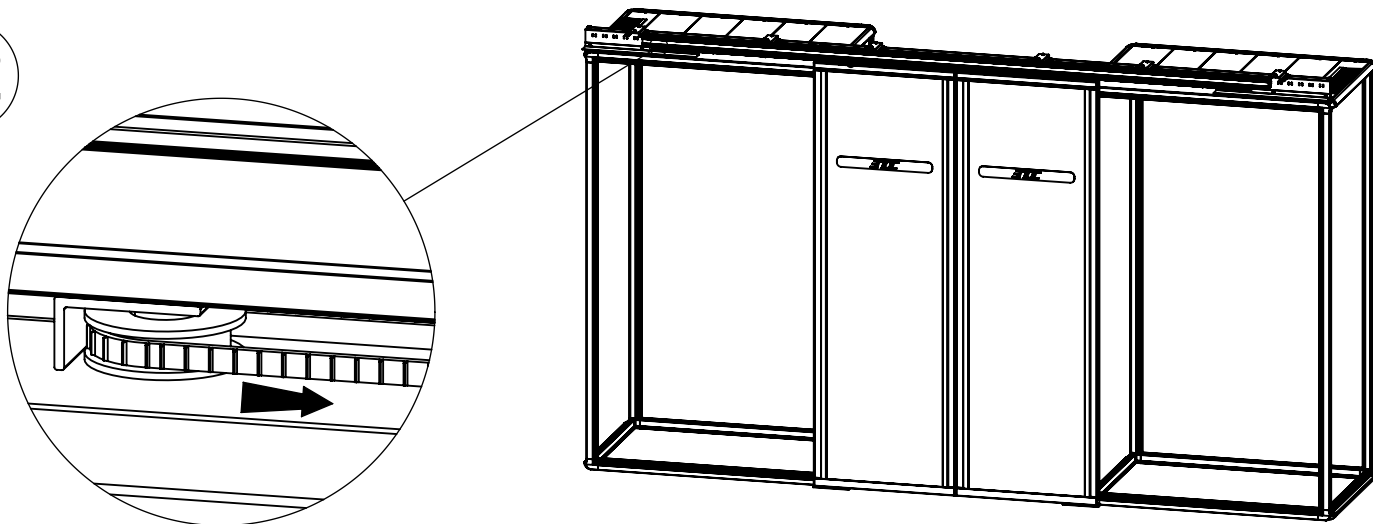
10



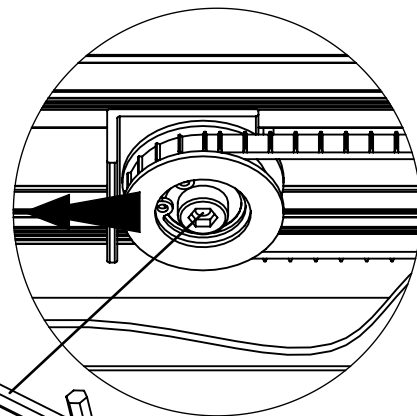
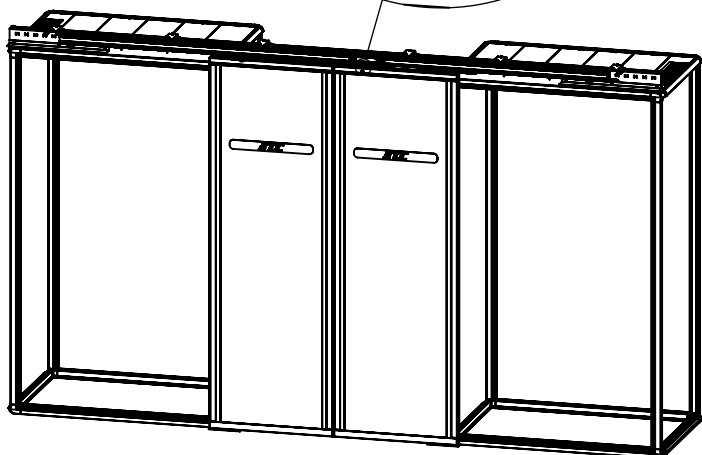
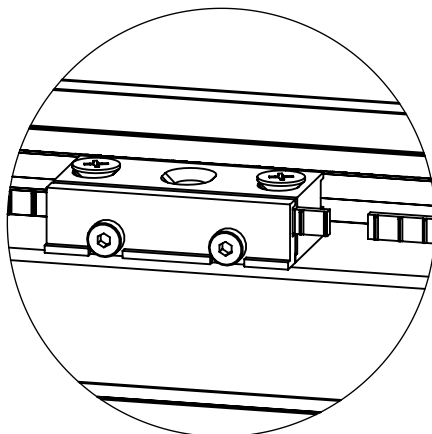
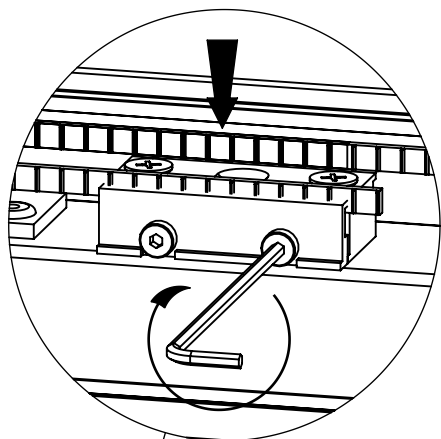
11



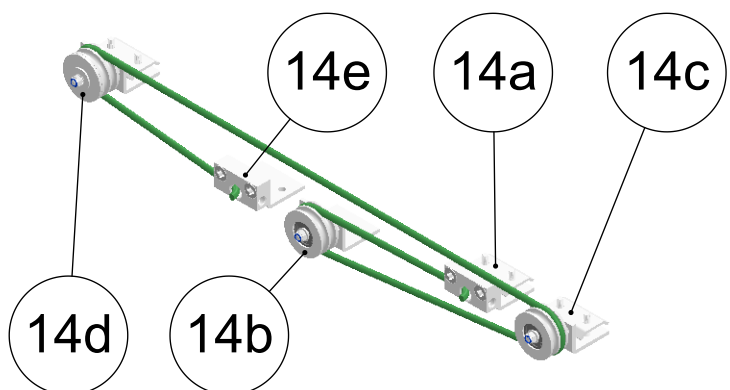
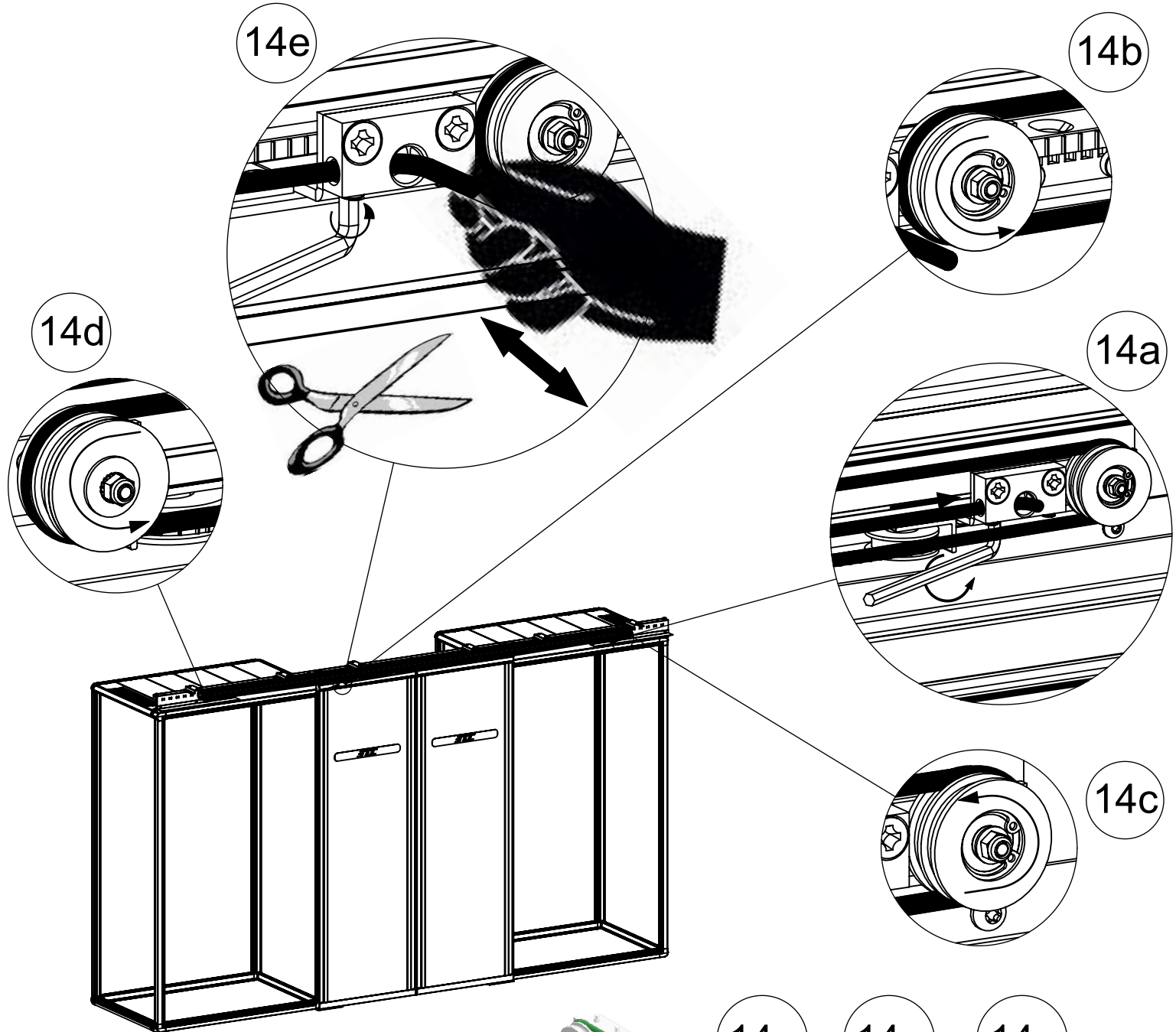
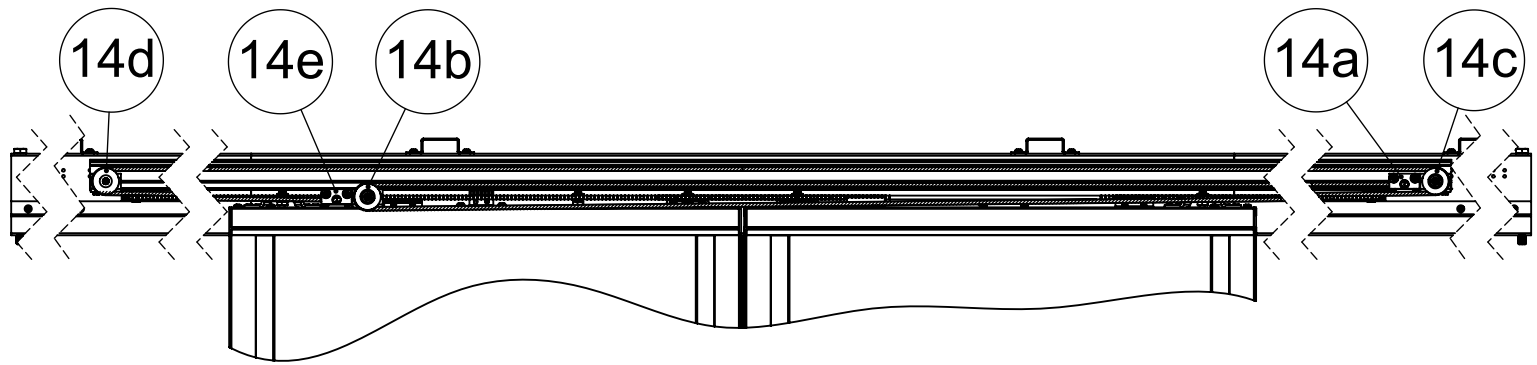
12



13

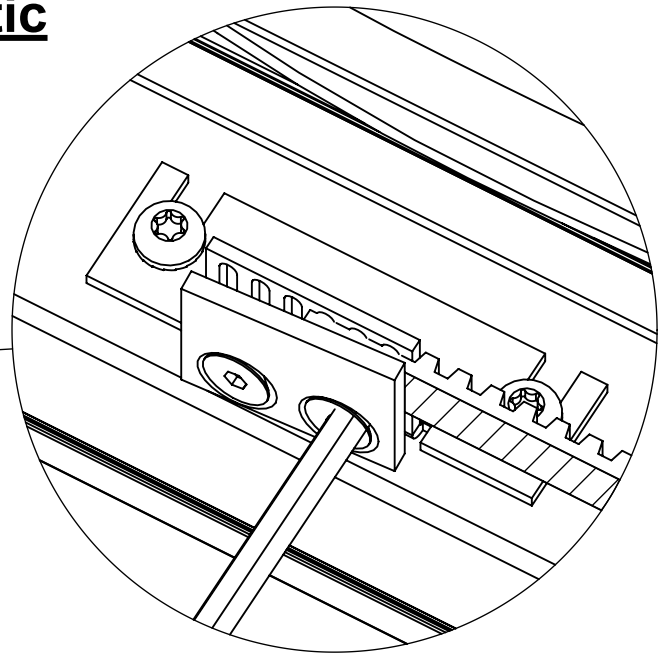
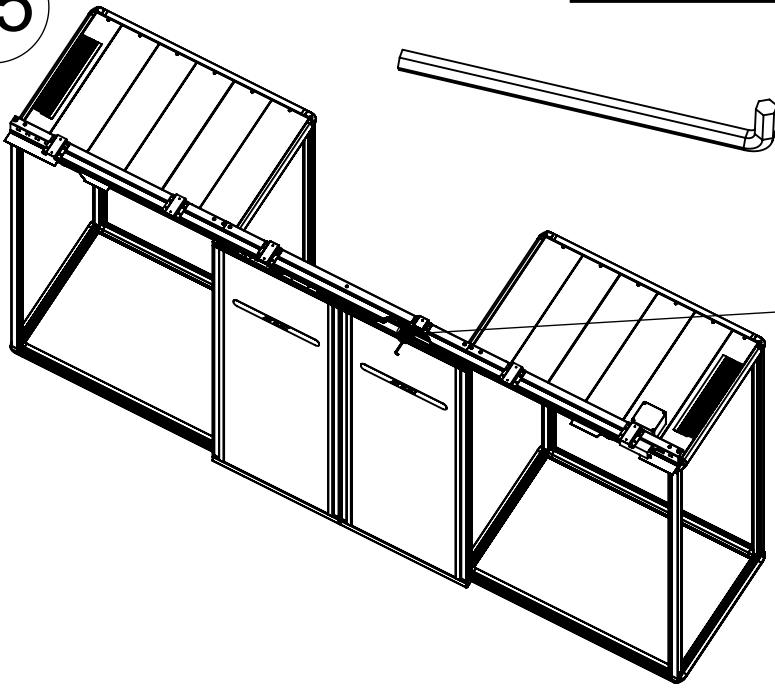


Self Closing (Including Synchrononic)

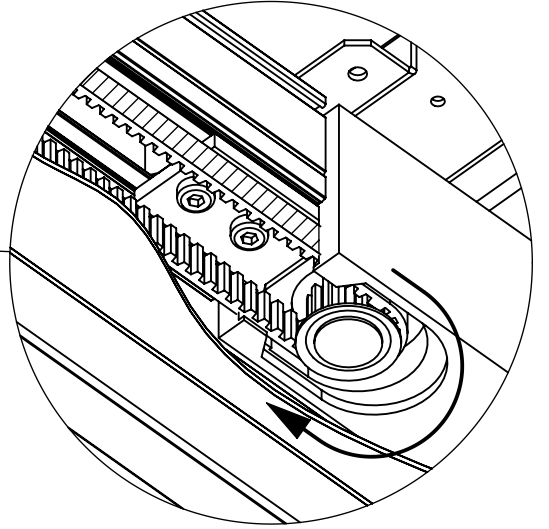
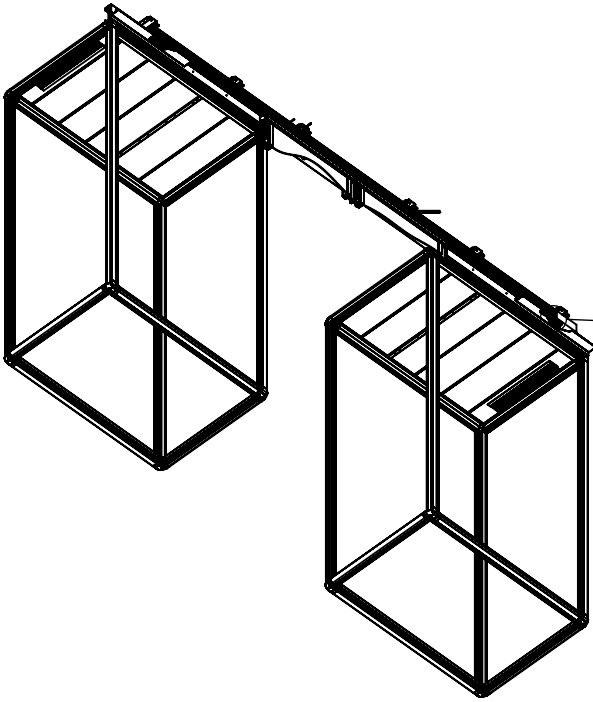


15

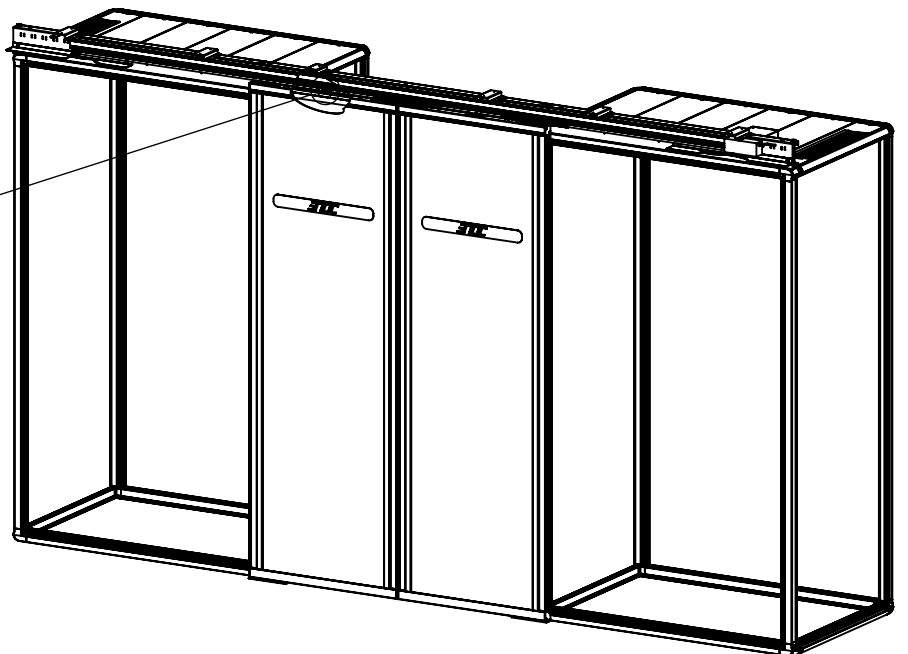
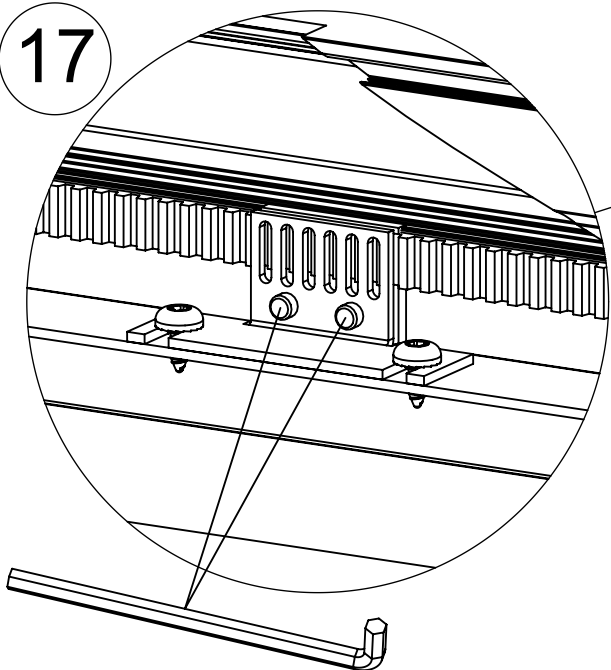
Automatic



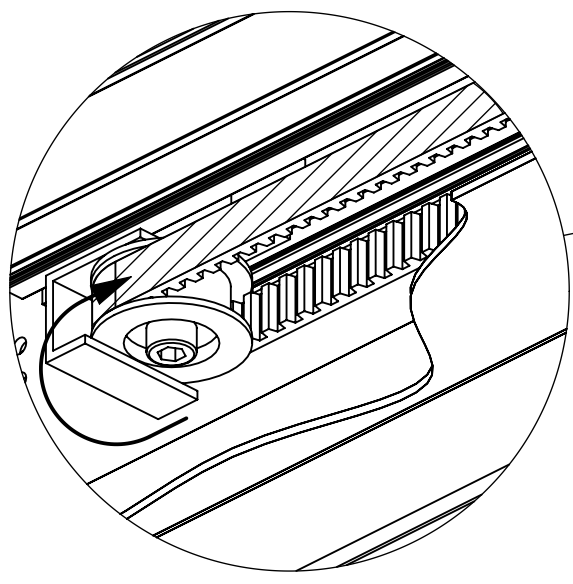
16



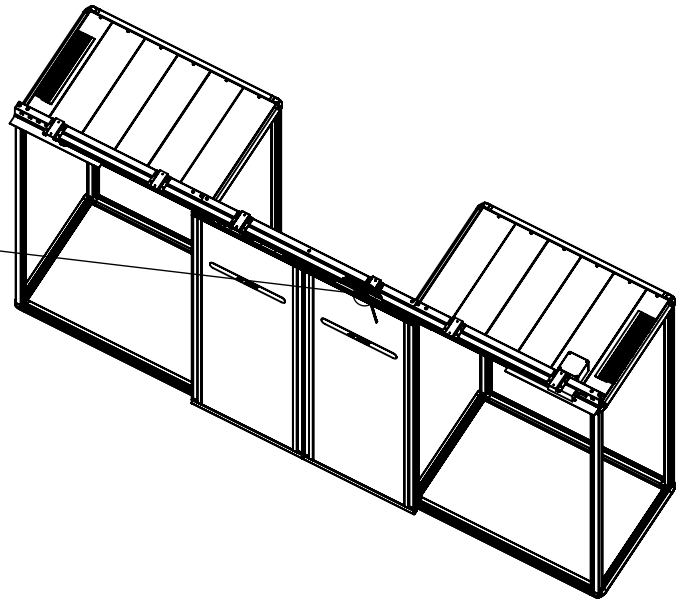
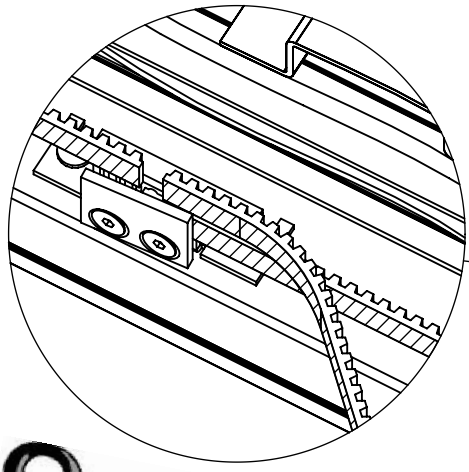
17



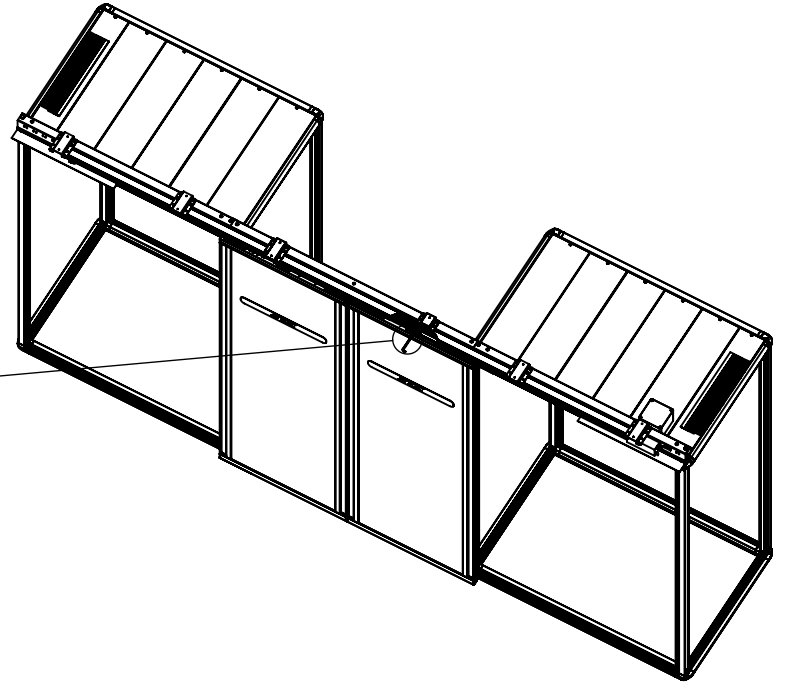
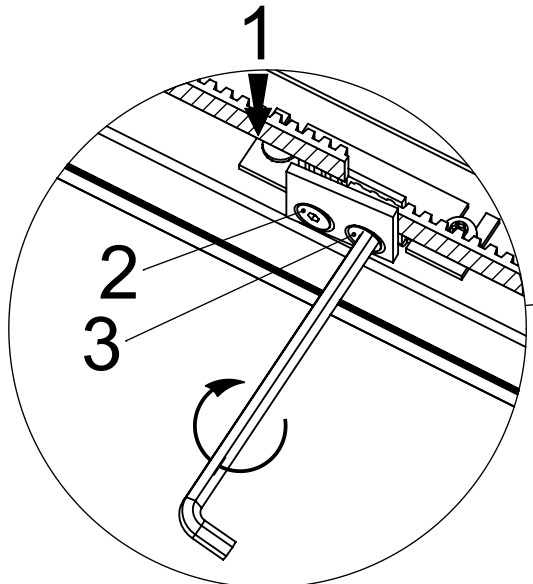
18



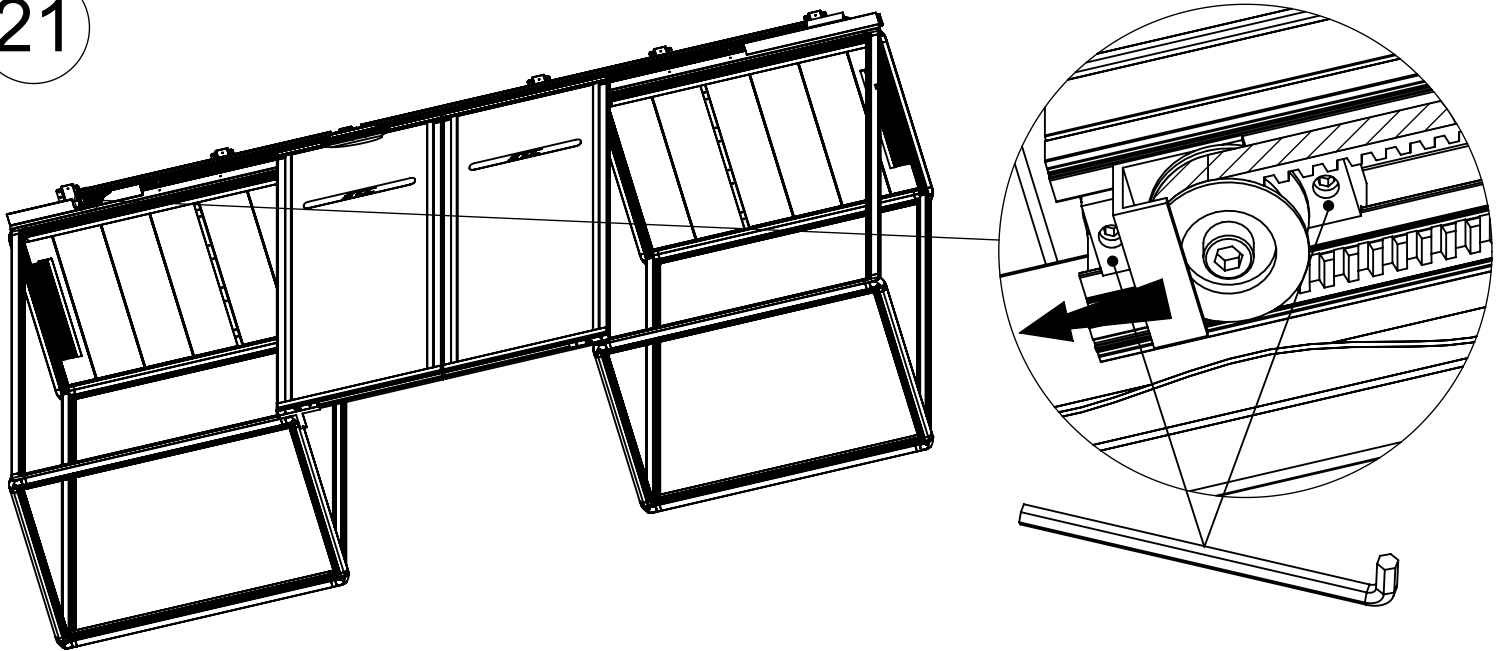
19



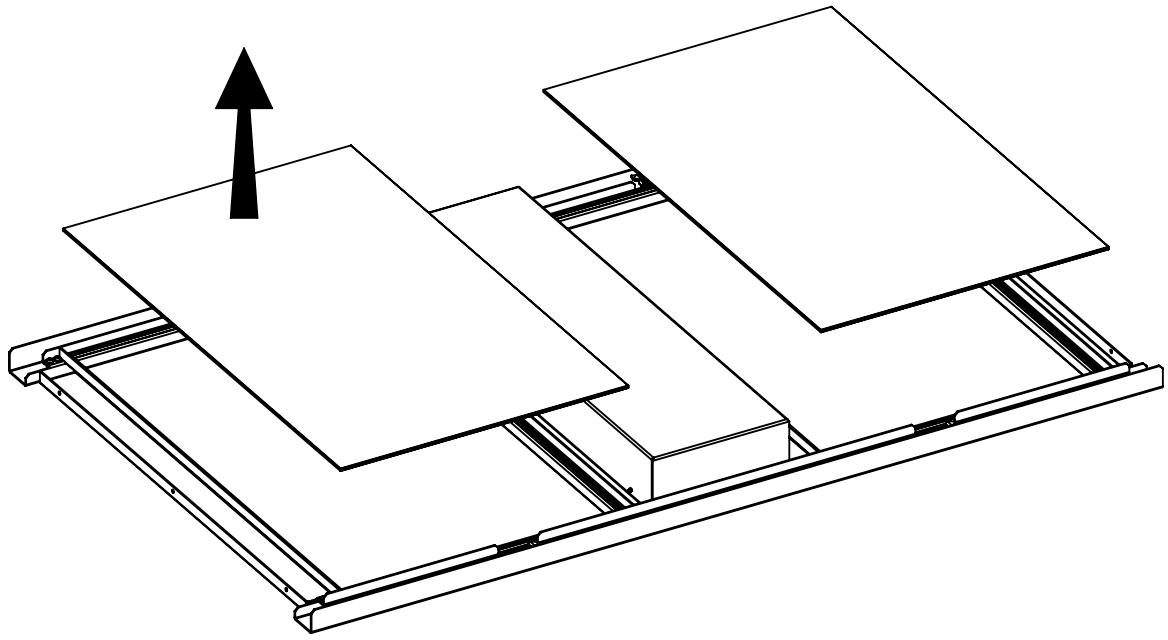
20



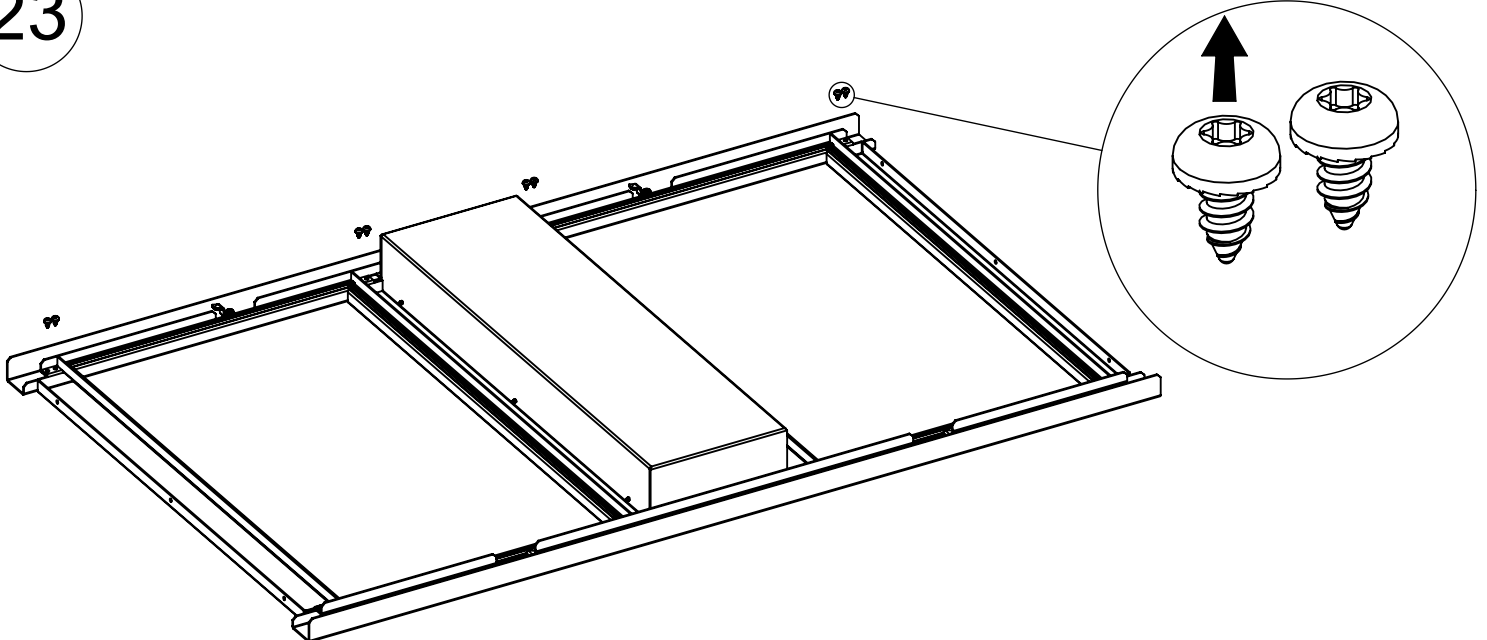
21



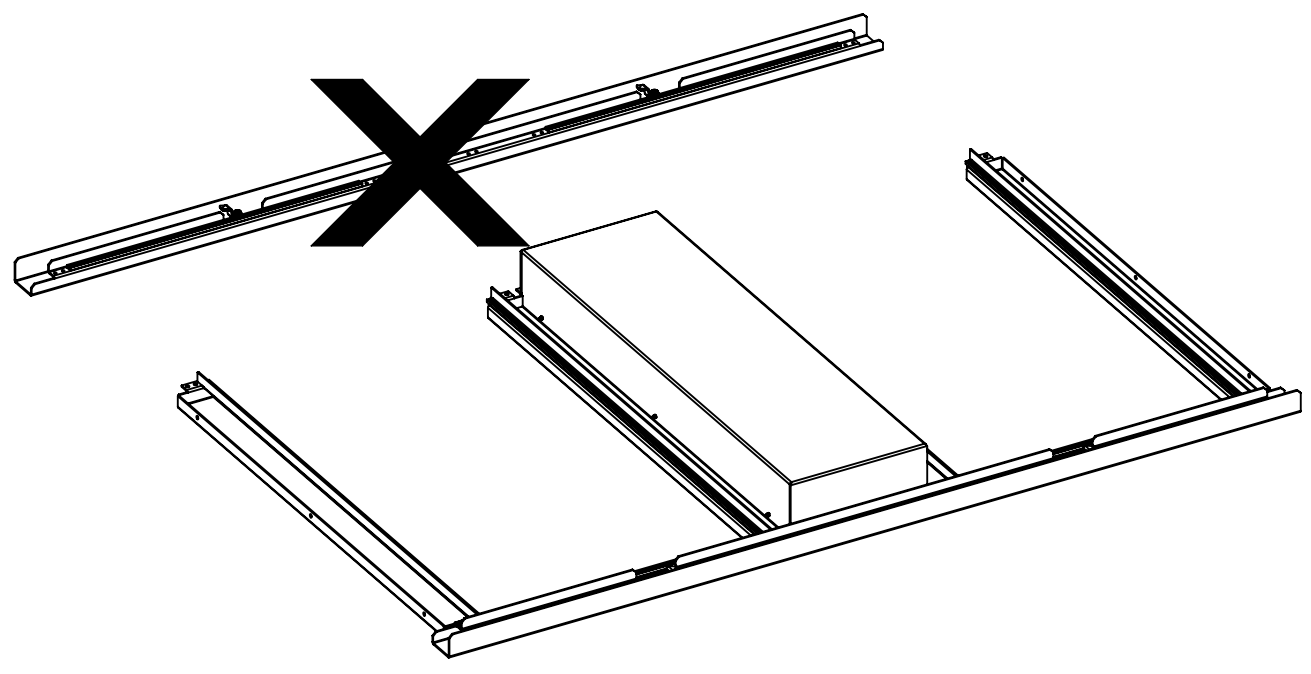
22



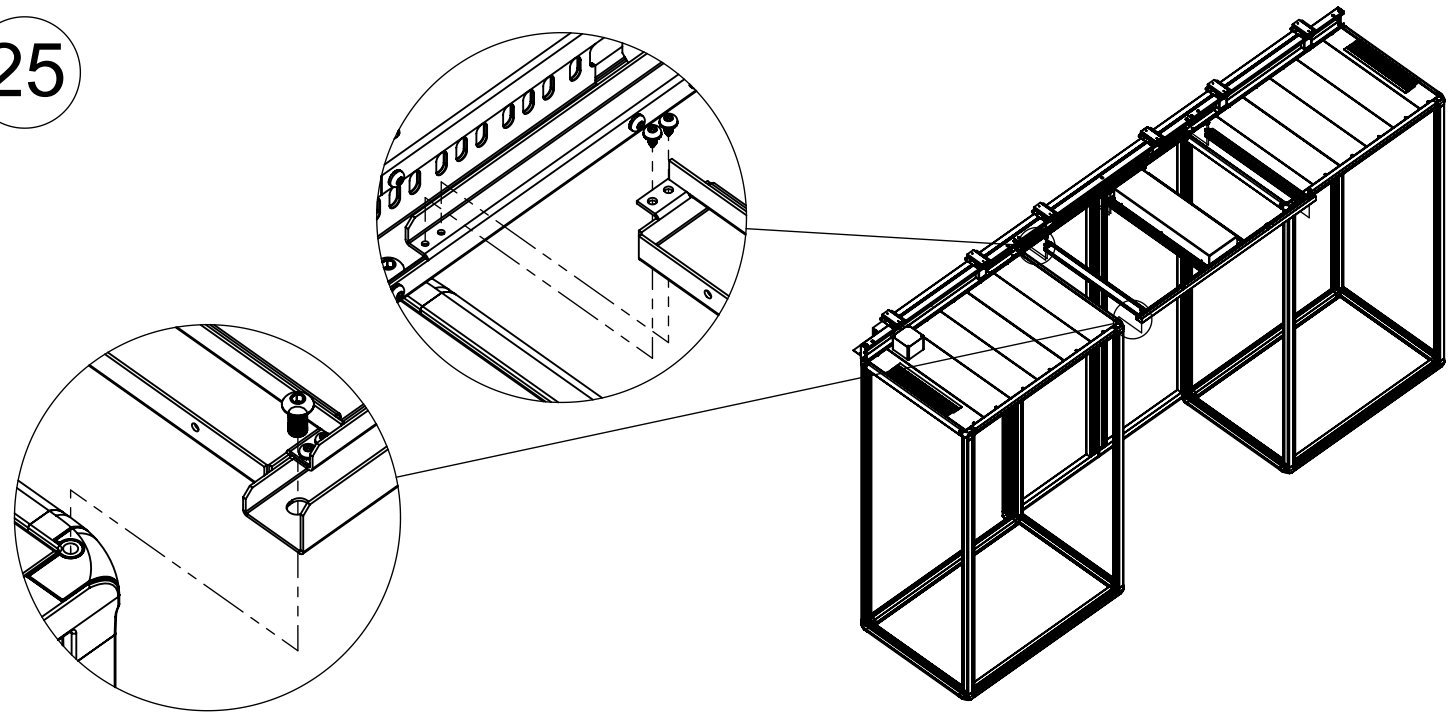
23



24

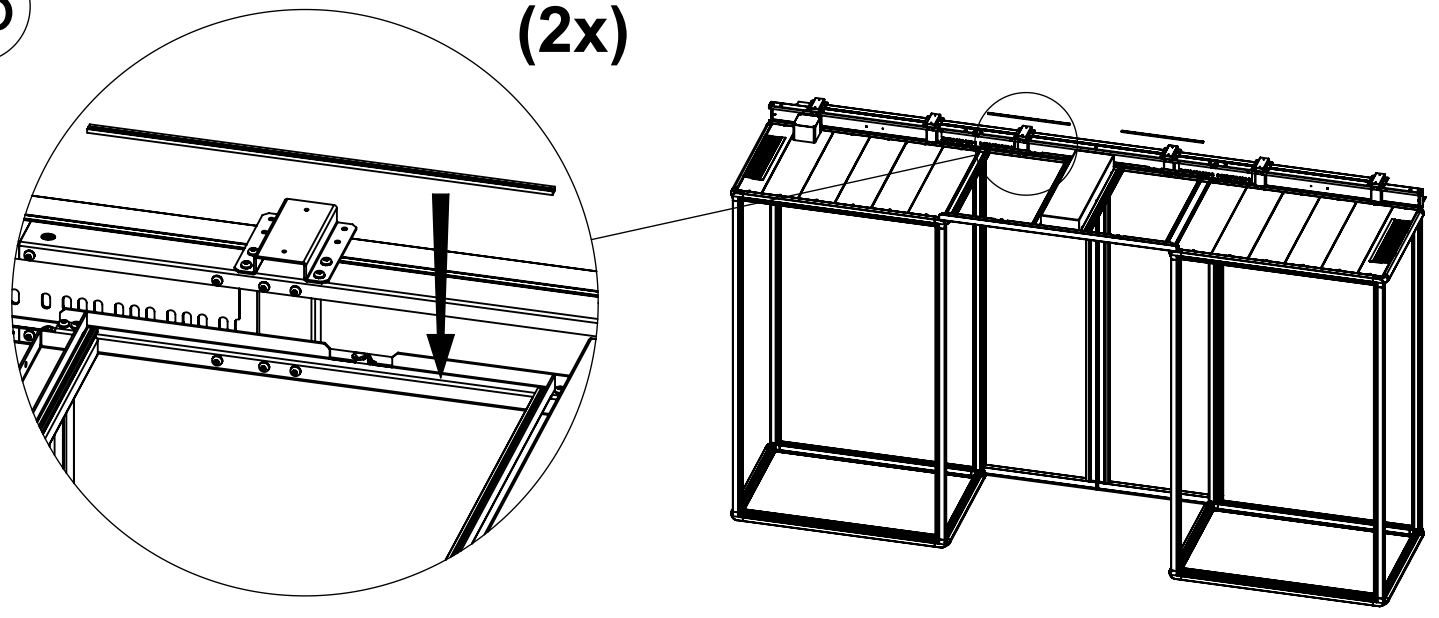


25

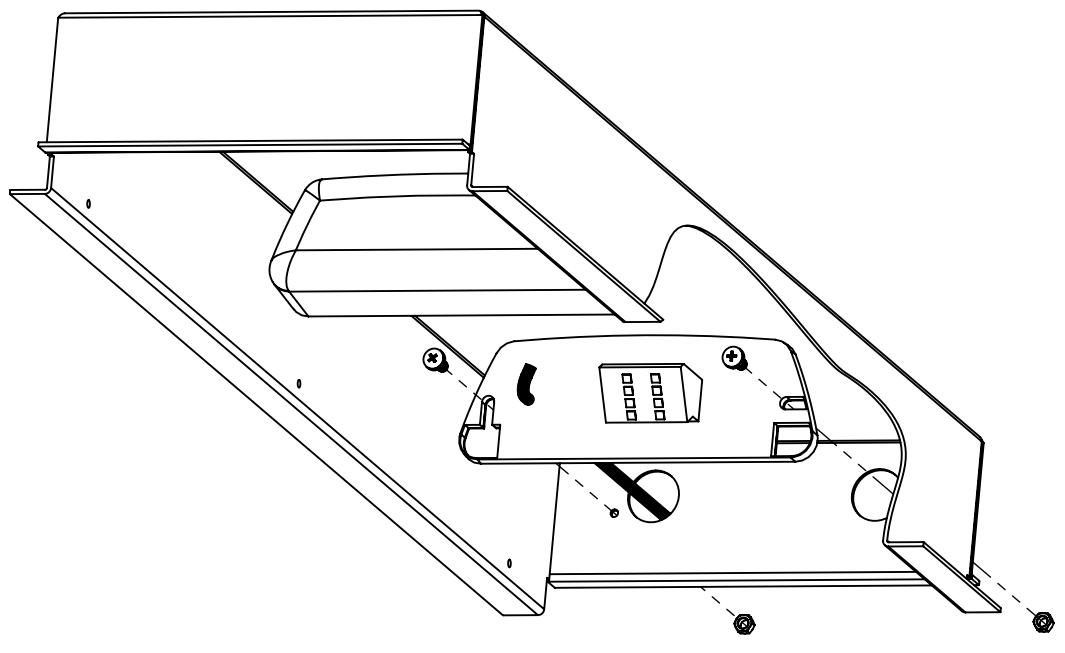


26

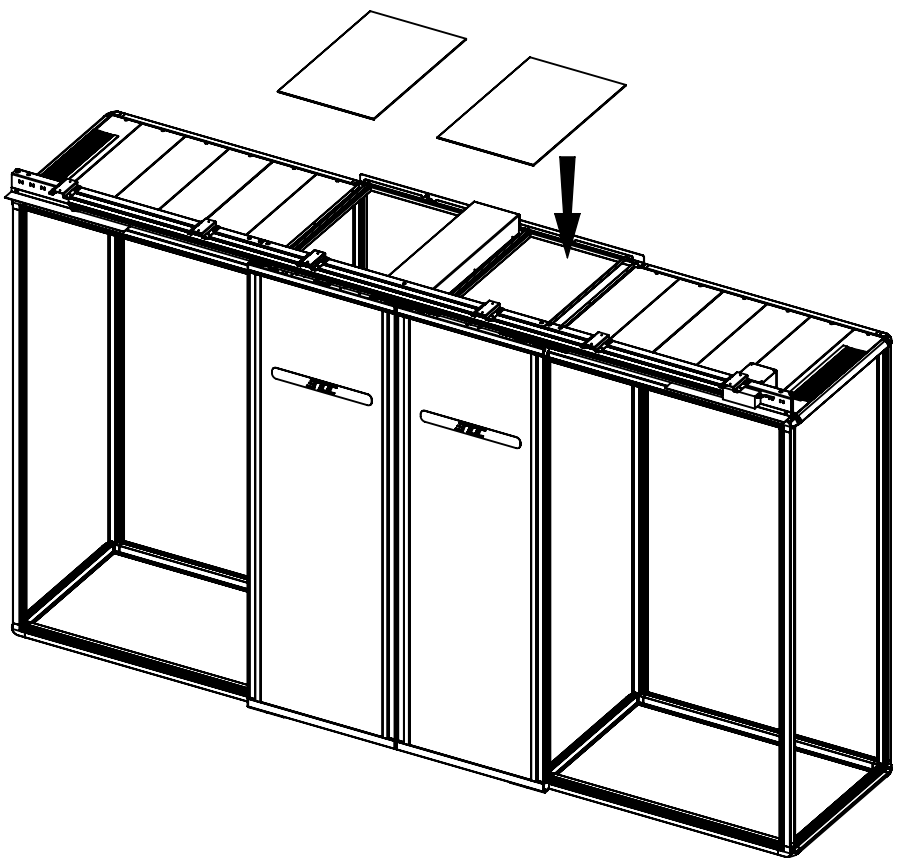
(2x)



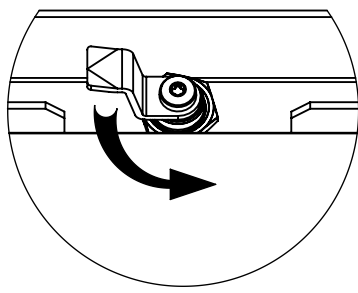
27



28

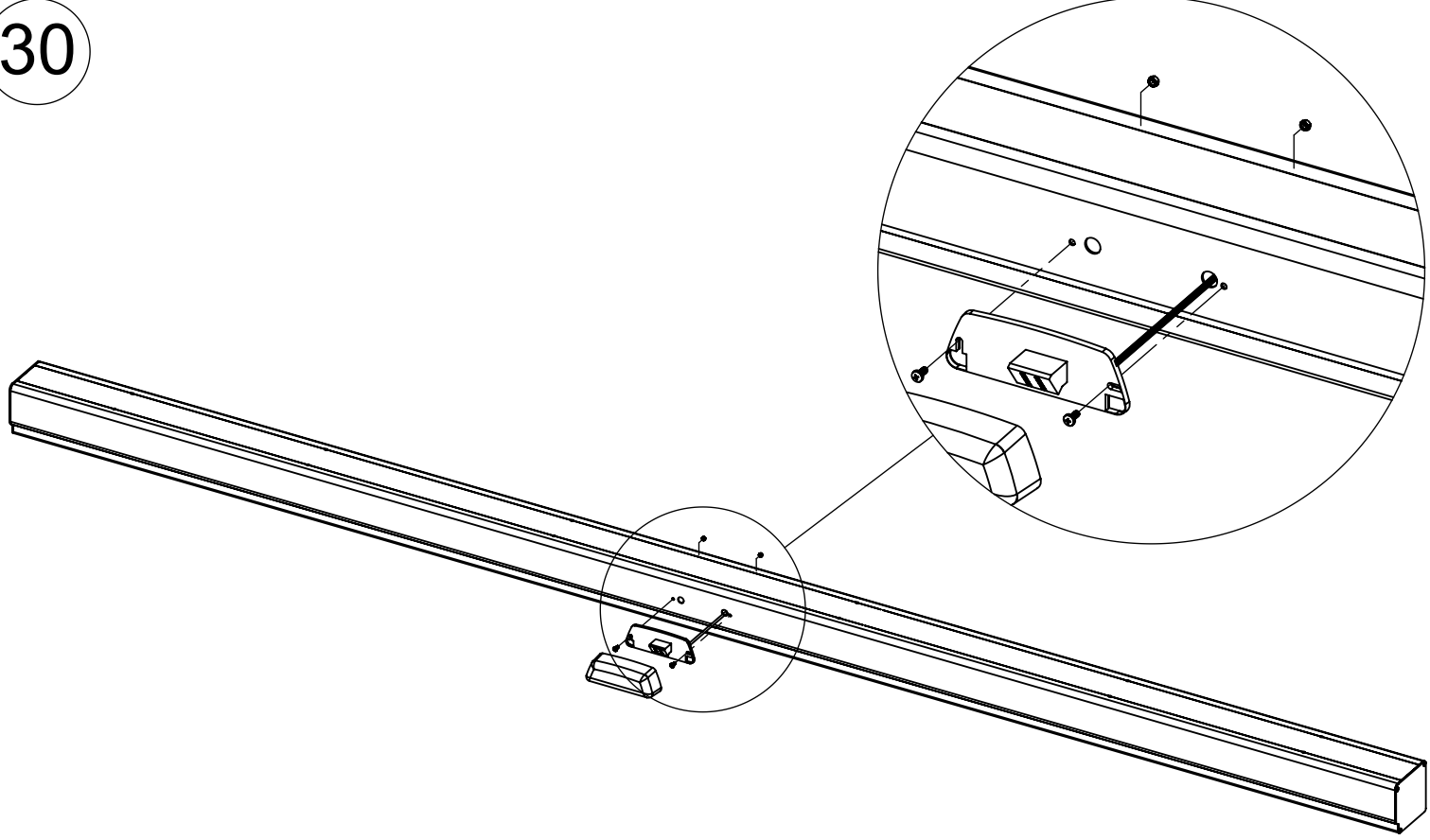


29

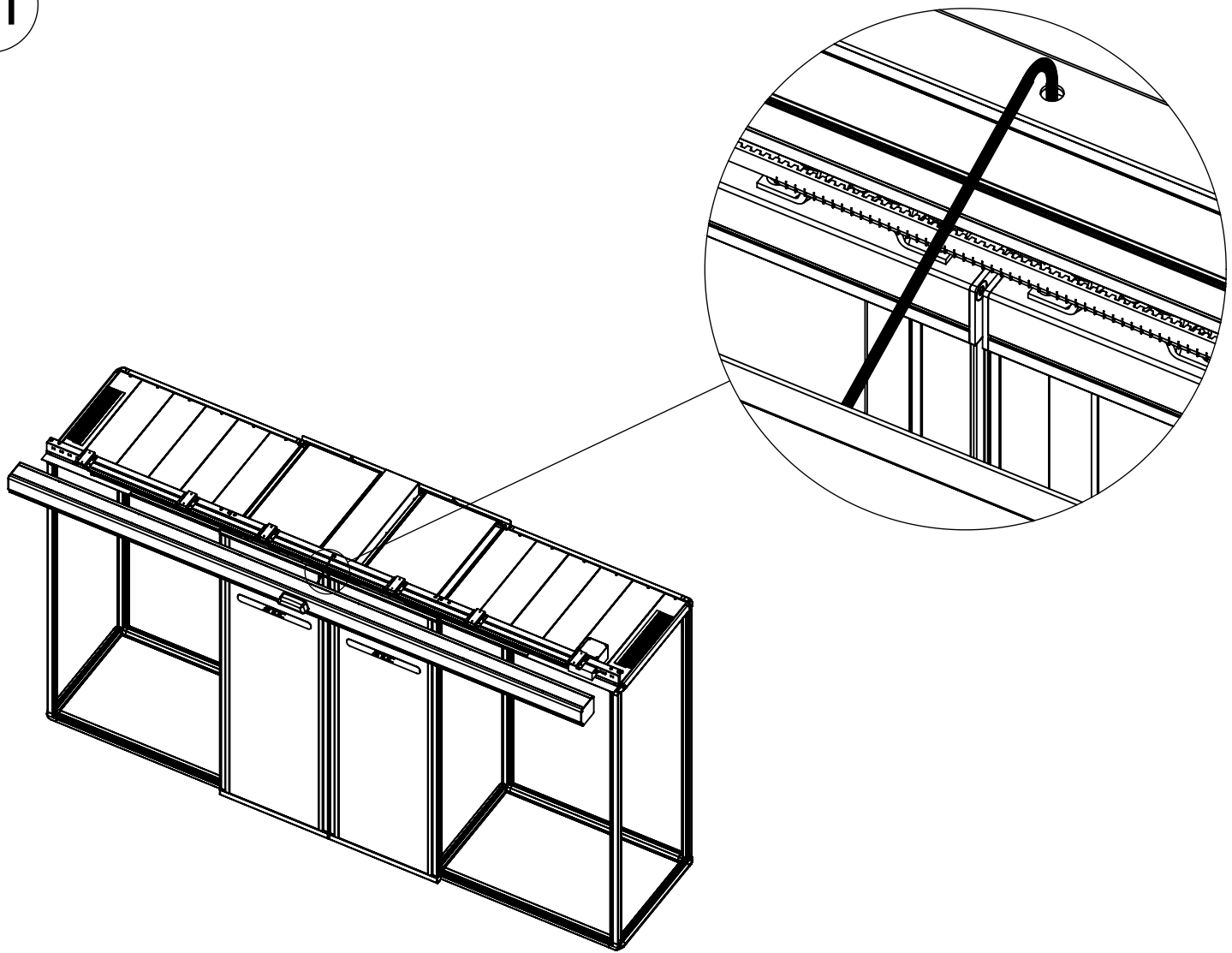


(4x)

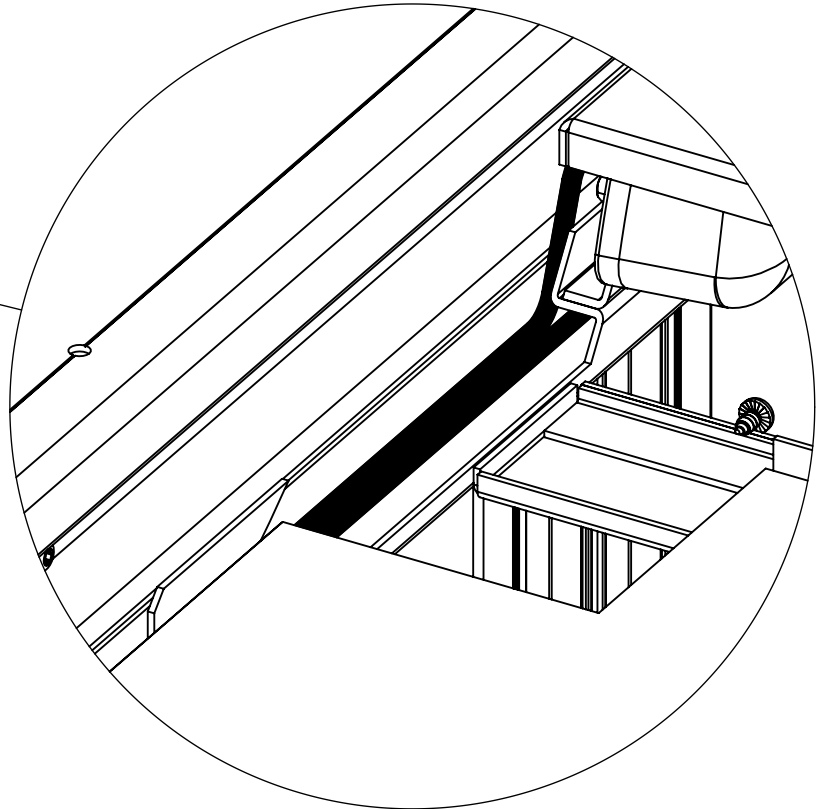
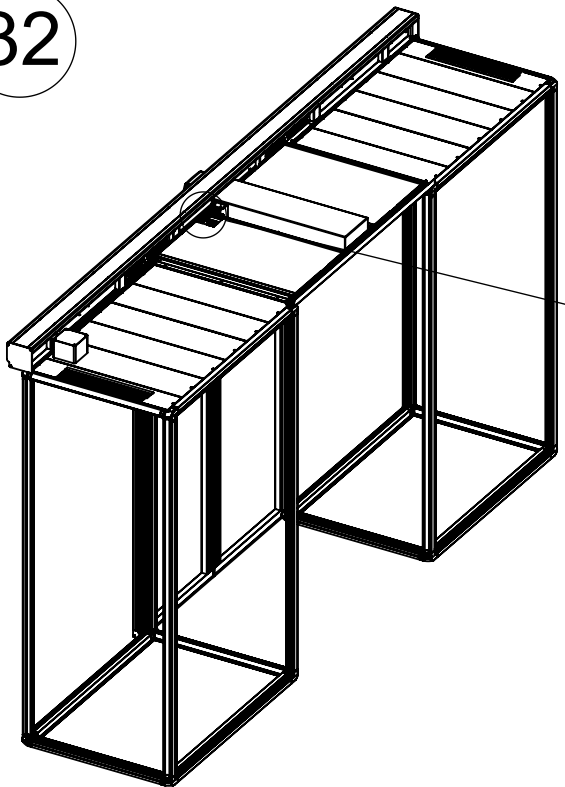
30



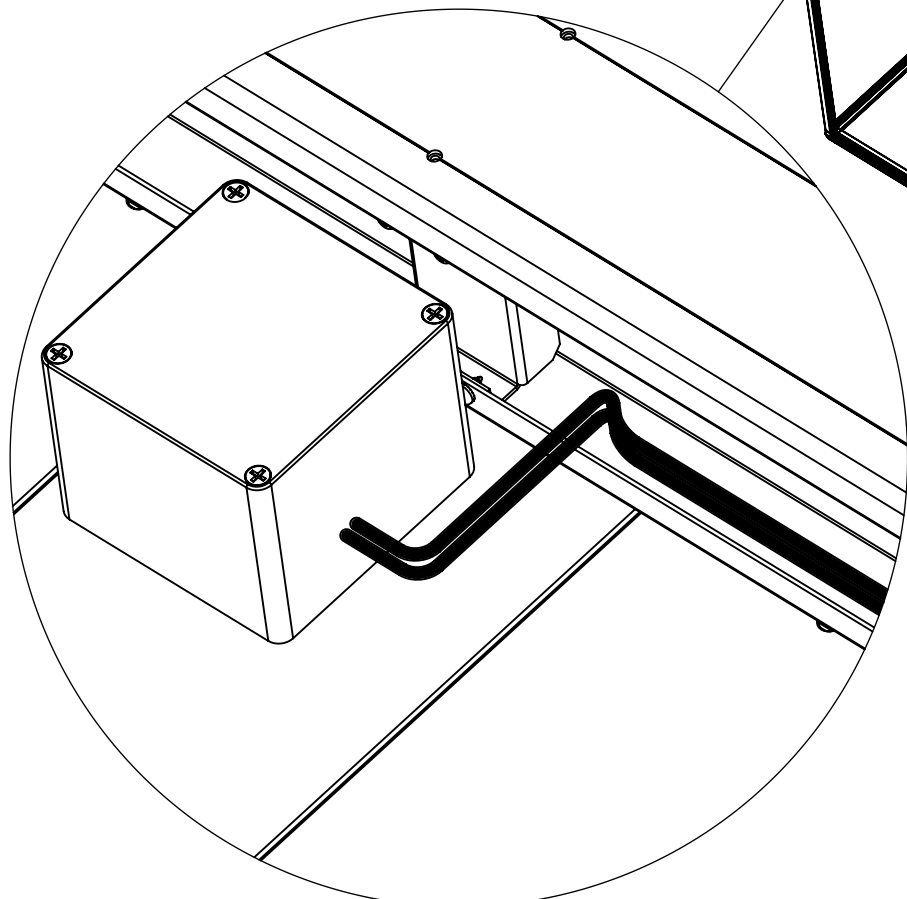
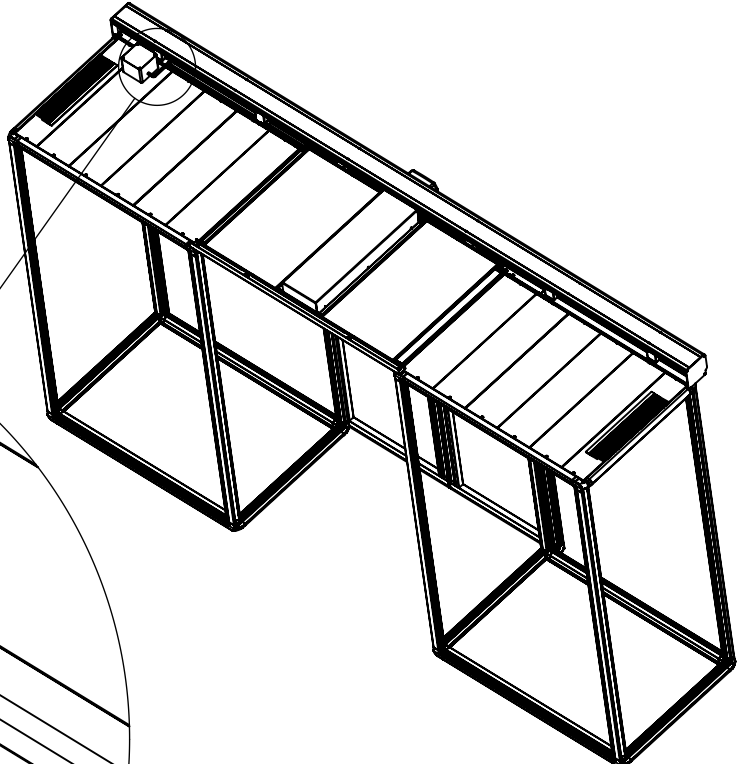
31



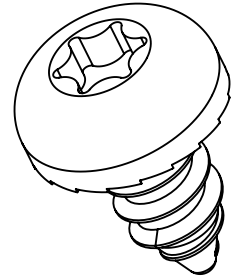
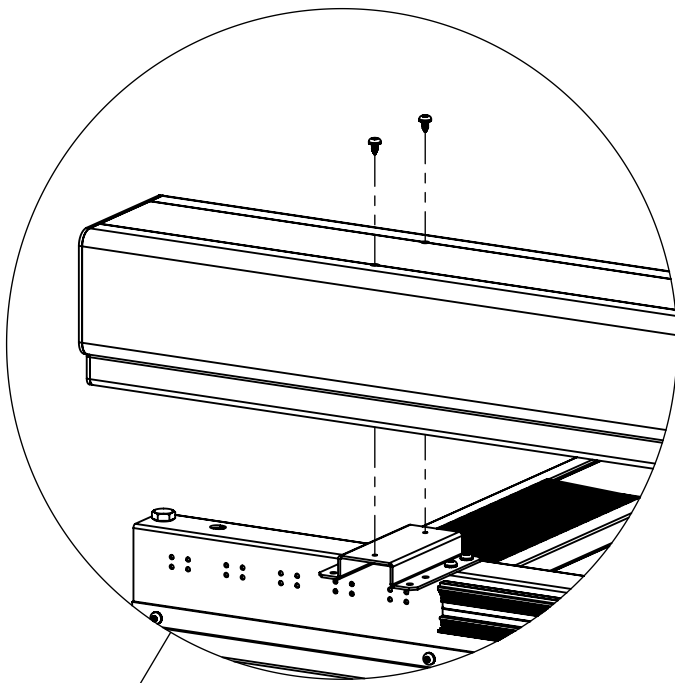
32



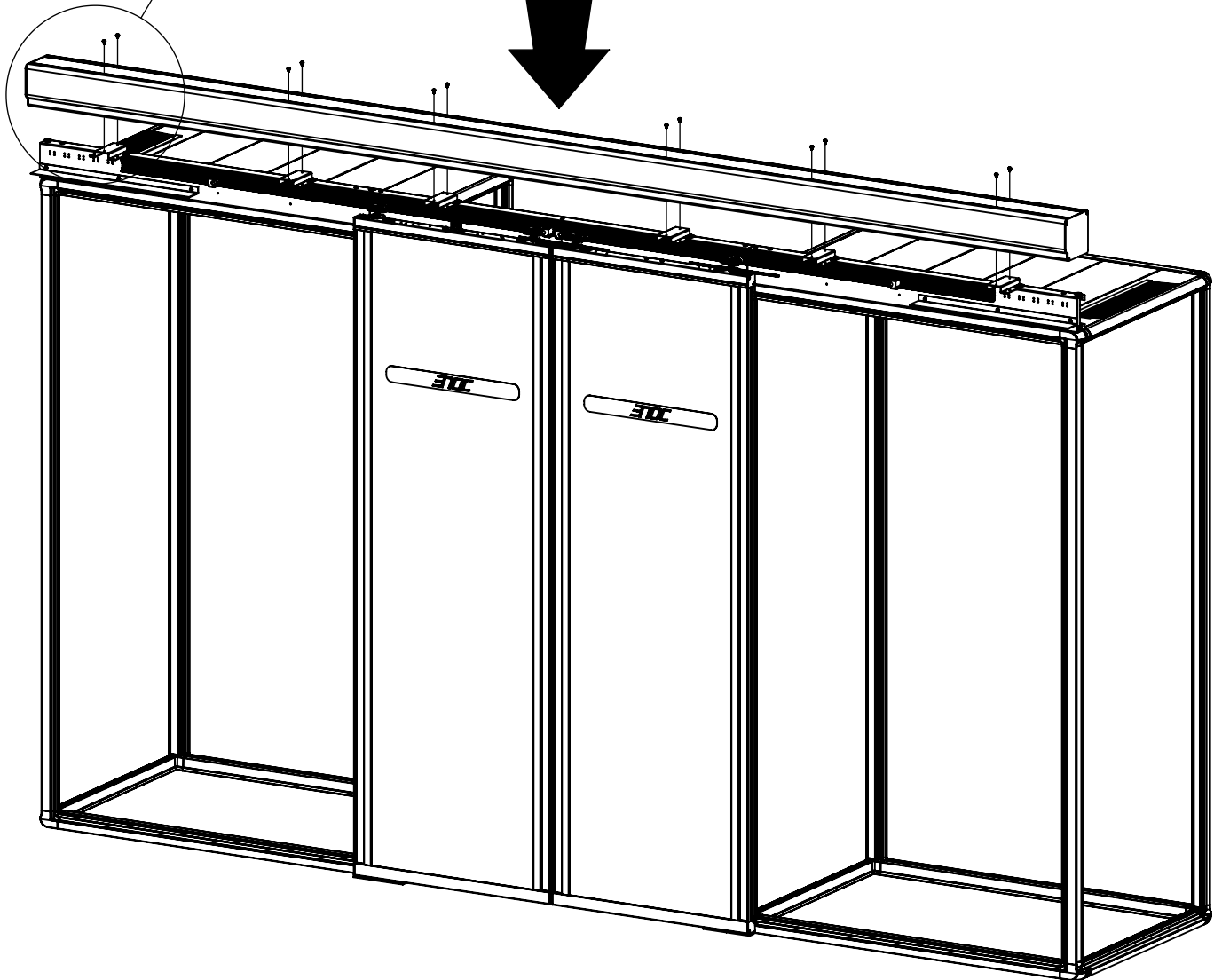
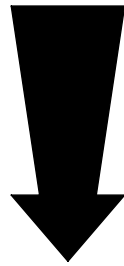
33



34



(x12)



ENOC
SYSTEM