


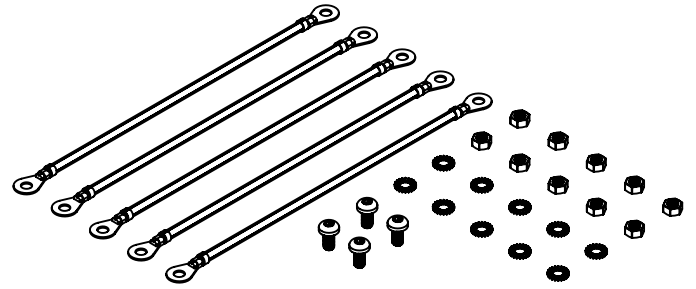
## EKS 5 kit

### Required for this cabinet:

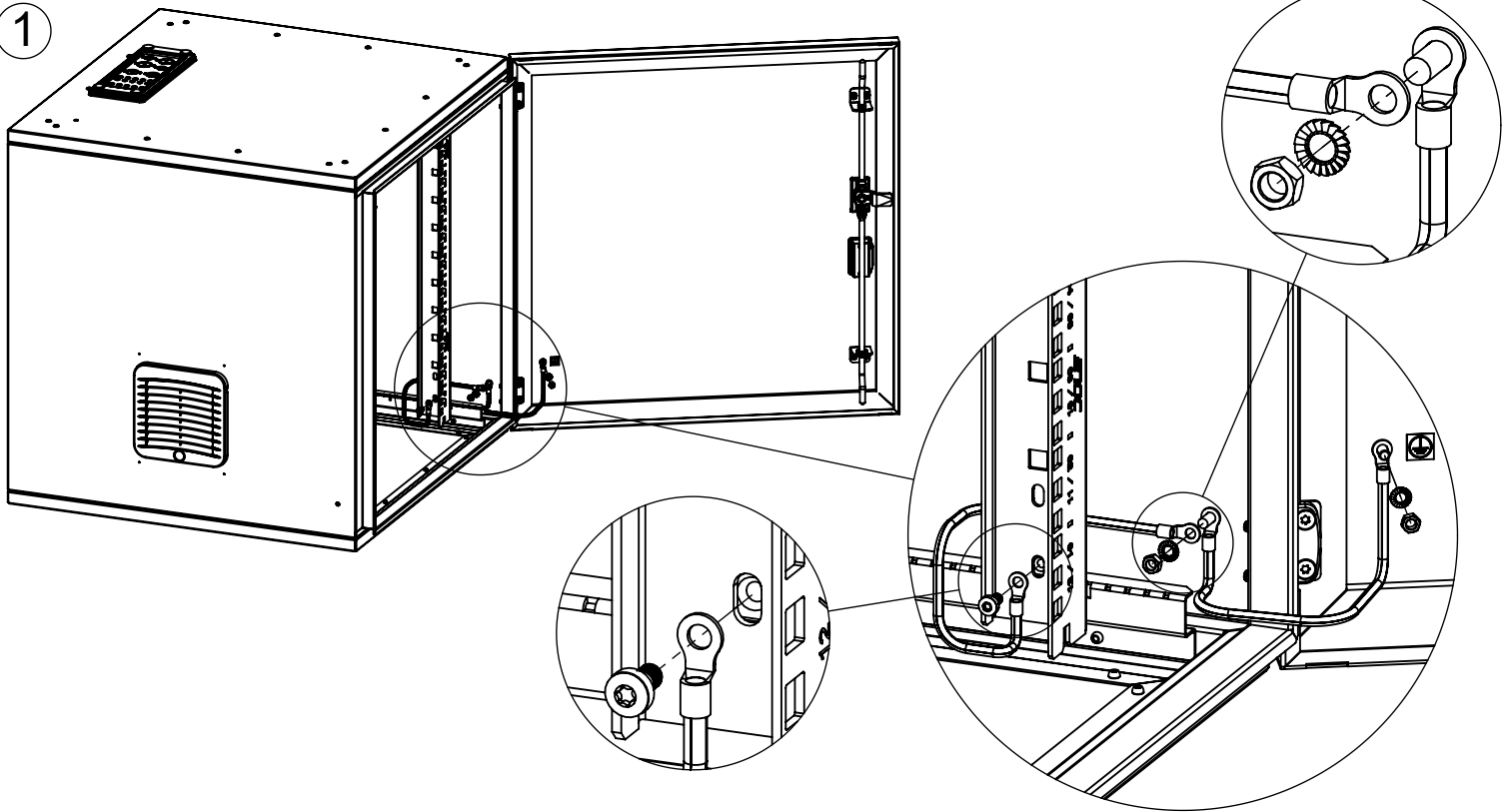
- 5pcs Earthing cable
- 7pcs M5 Nut
- 7pcs M5 Lock washer

### Tools required:

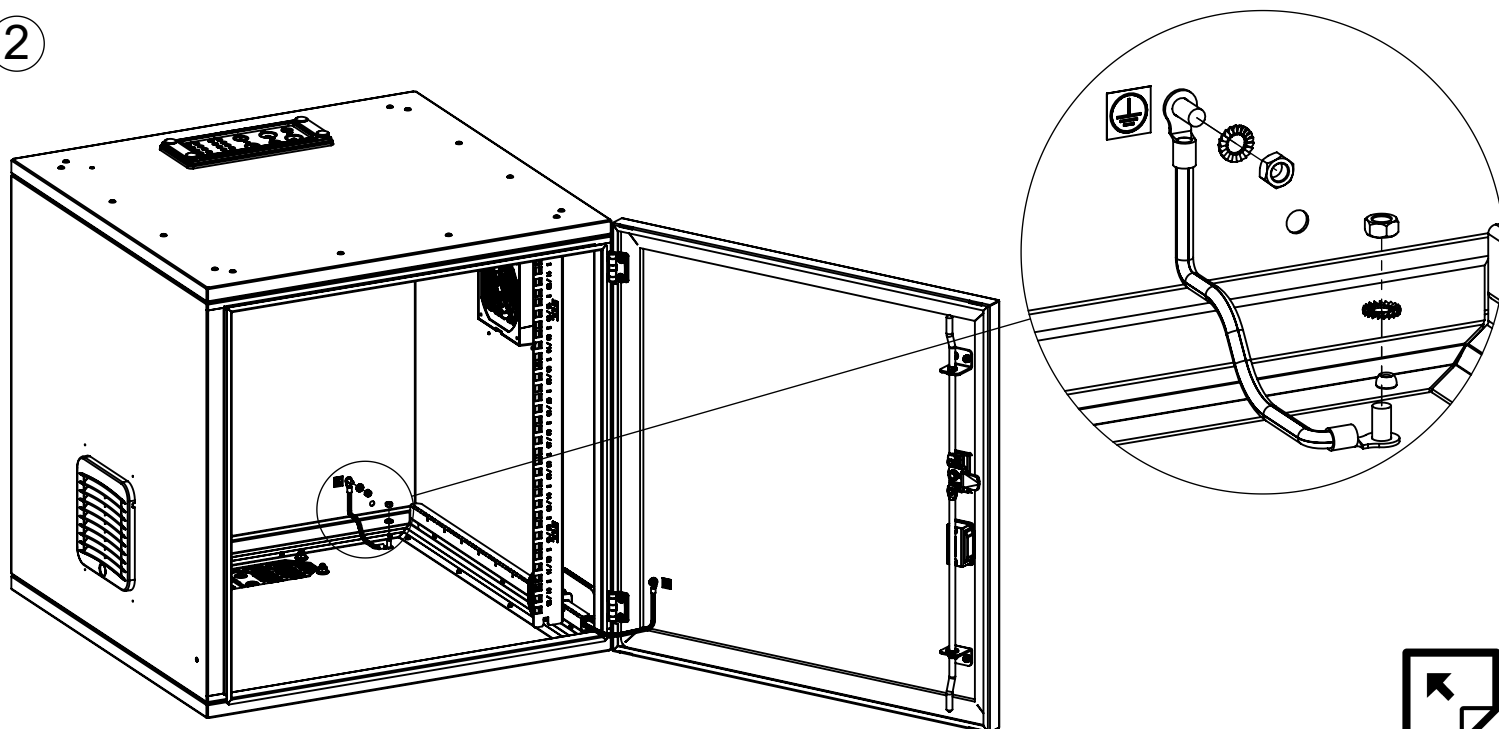
- 8mm wrench
- Screwdriver Torx T25 



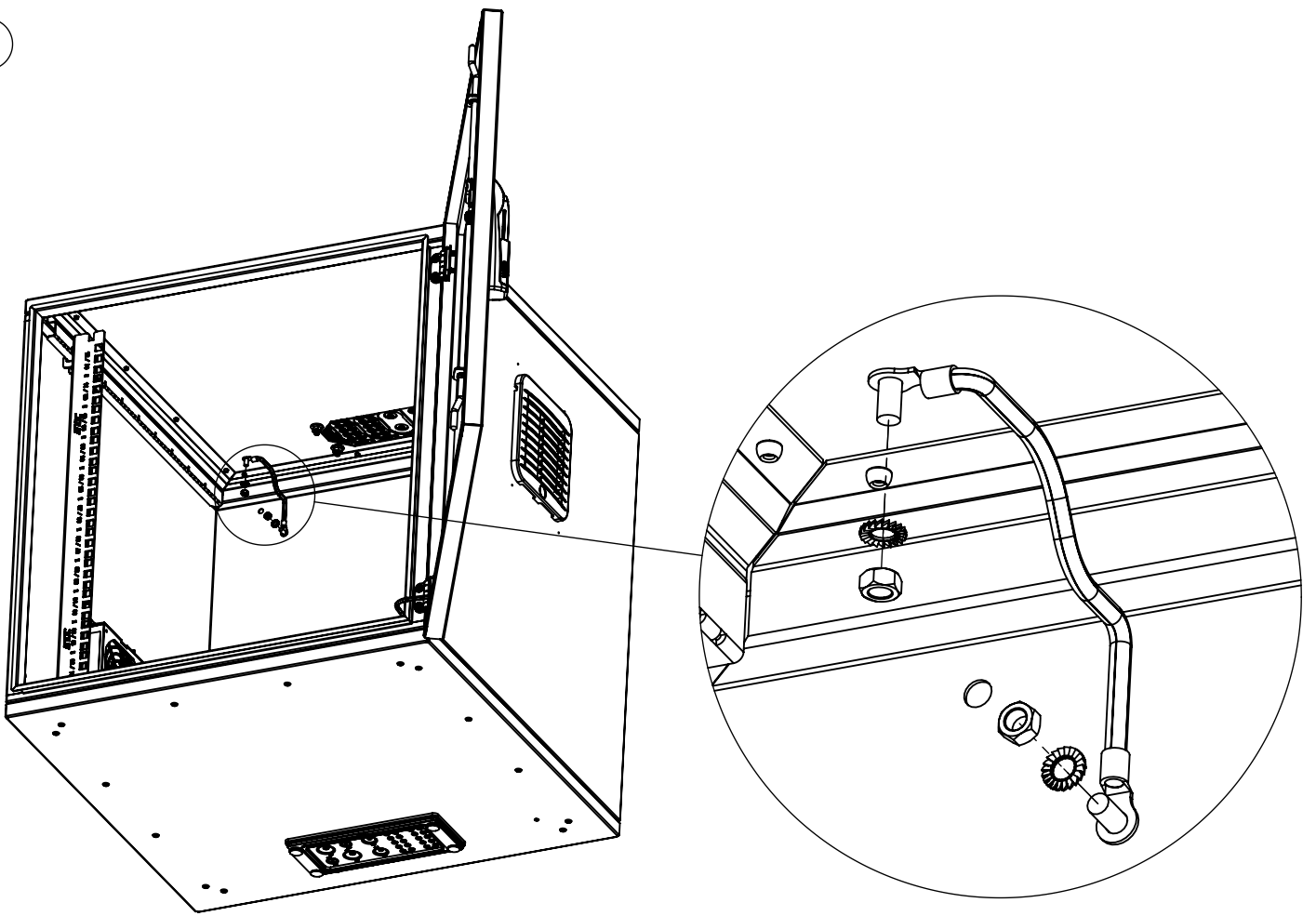
1



2



3



4

