

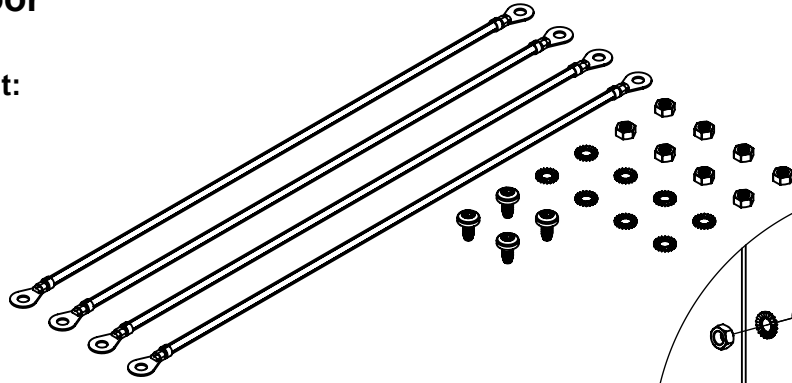
NSVE with glassdoor EK 4 kit

Required for this cabinet:

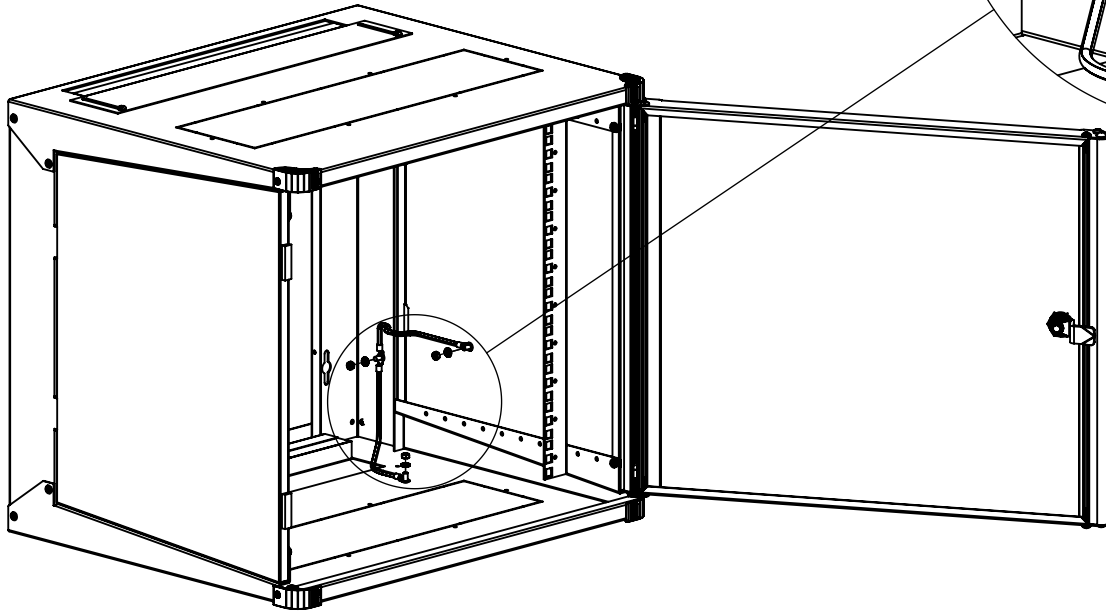
- 4pcs Earthing cable
- 6pcs M5 Nut
- 6pcs M5 Lock washer

Tools required:

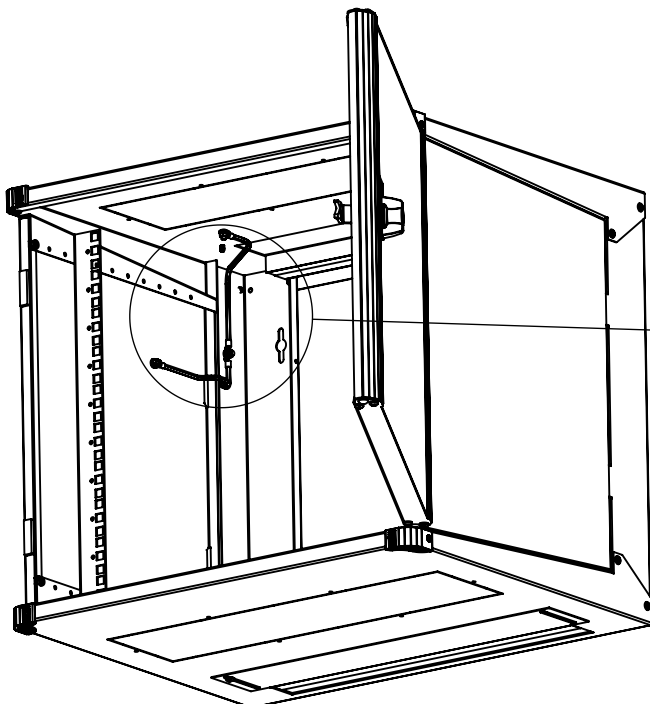
- 8mm wrench



1



2




NSVE with steel door

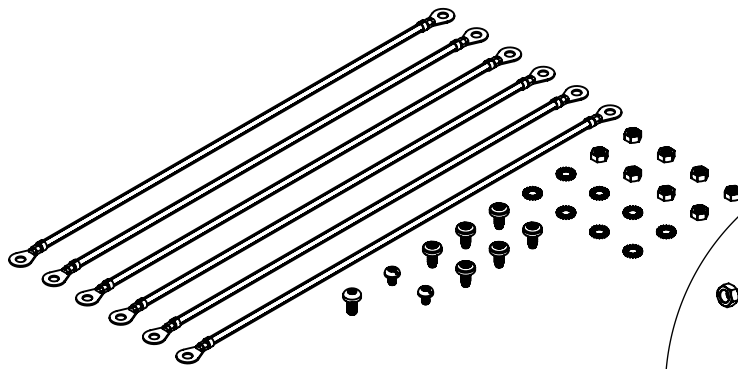
EK 6 kit

Required for this cabinet:

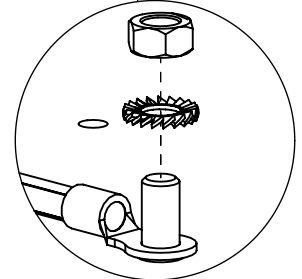
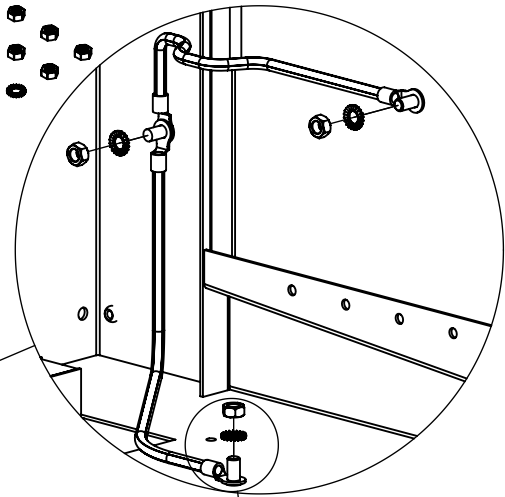
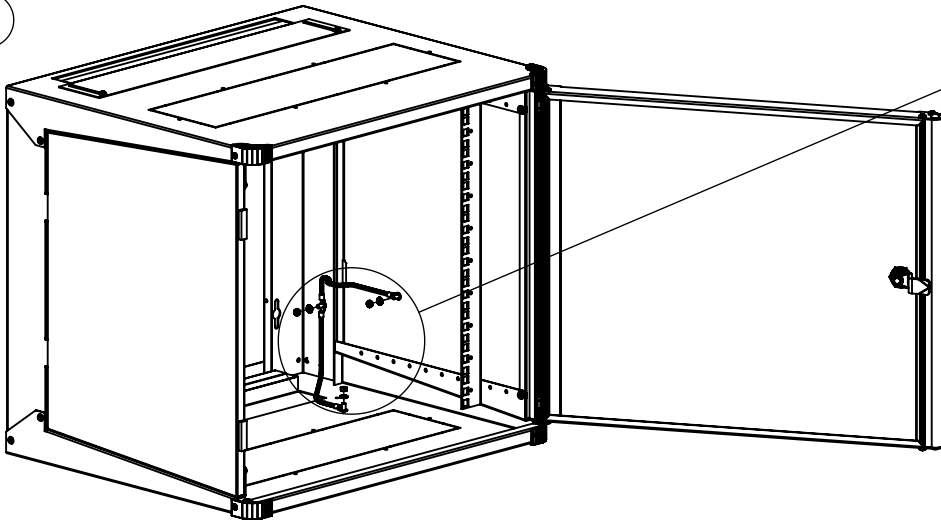
- 5pcs Earthing cable
- 7pcs M5 Nut
- 7pcs M5 Lock washer
- 1pcs Screw MRT TT M5x10

Tools required:

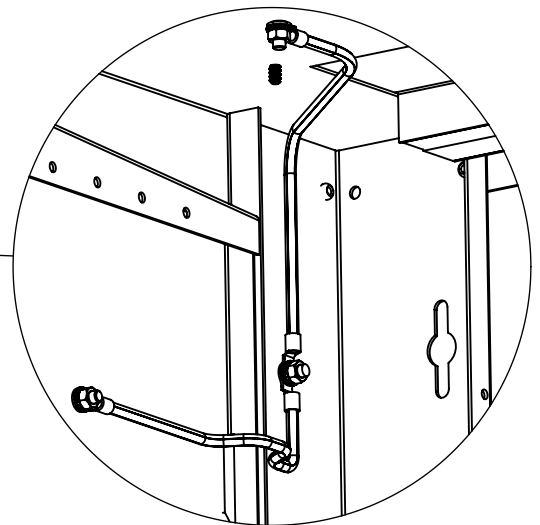
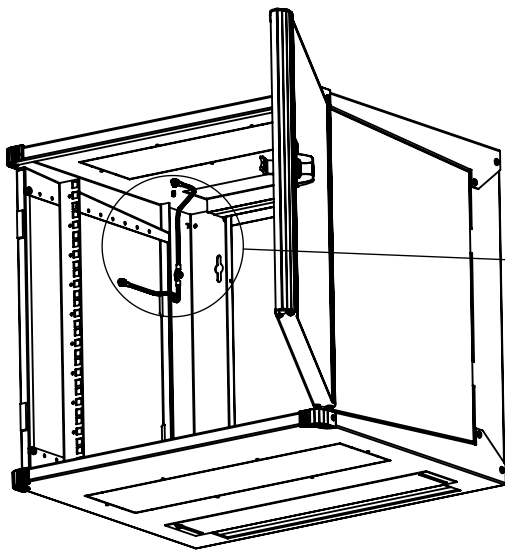
- 8mm wrench
- Screwdriver Torx T25 



1



2



3

