


F3 cabinet

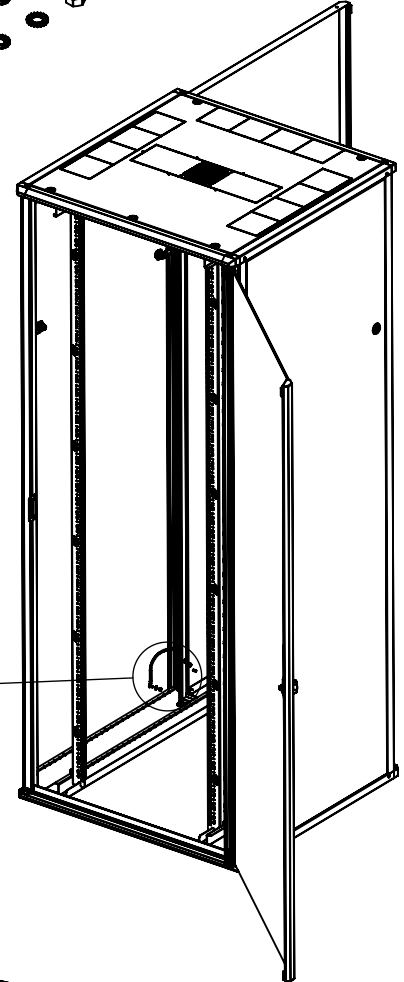
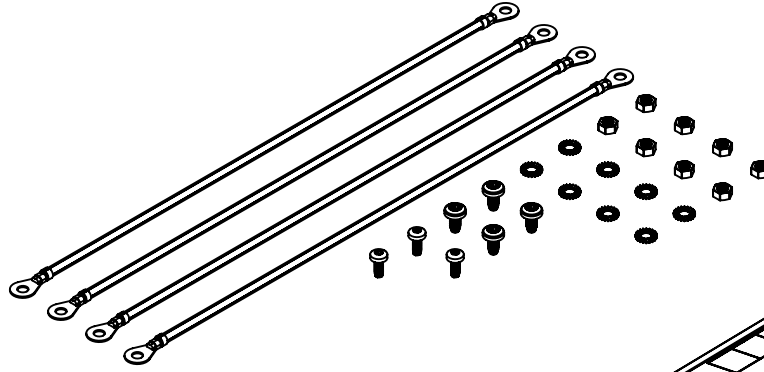
EK 4 kit

Required for this cabinet:

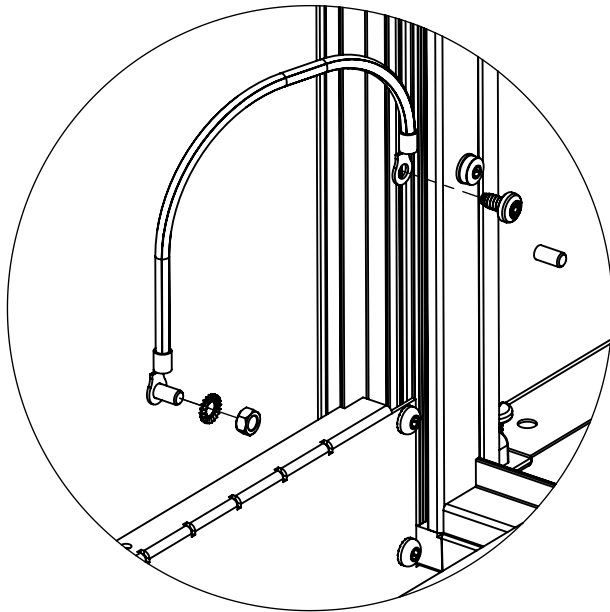
- 3pcs Earthing cable
- 3pcs M5 Nut
- 3pcs M5 Lock washer
- 3pcs DG B50x9.5 screw

Tools required:

- 8mm wrench
- Screwdriver Torx T25 



① Side panel to corner post



② Door to corner post

Note! Only necessary for sheet metal doors, not glass doors.

