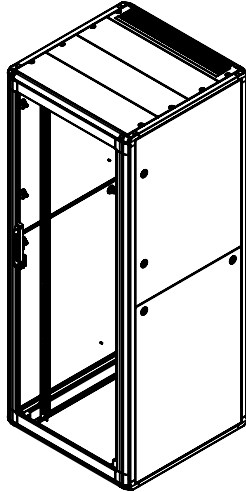
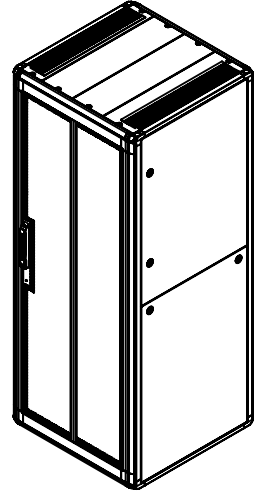


F1
GD - With glass door

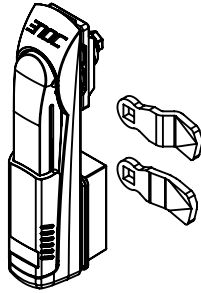


S1
VD - With ventilated door

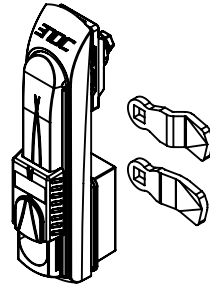


Locking options - Glass door

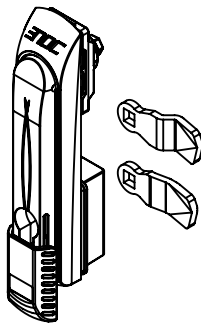
50845 / LS 92 GD



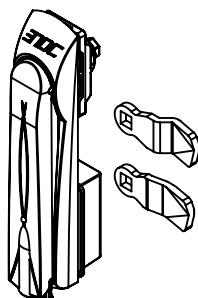
50888 / LS 93 GD



50890 / LS 94 GD

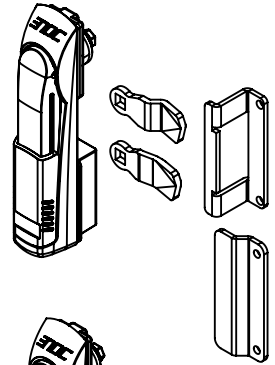


50892 / LS 103 GD

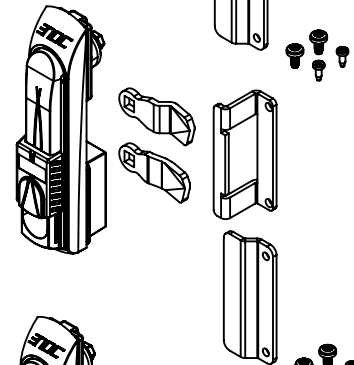


Locking options - Steel door

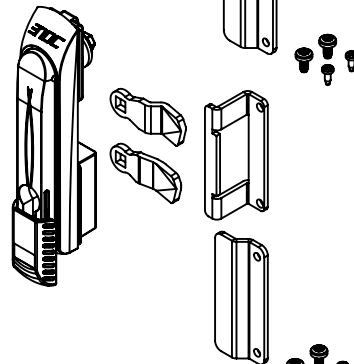
50846 / LS 92 PD



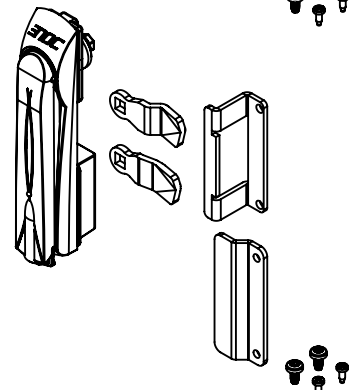
50889 / LS 93 PD



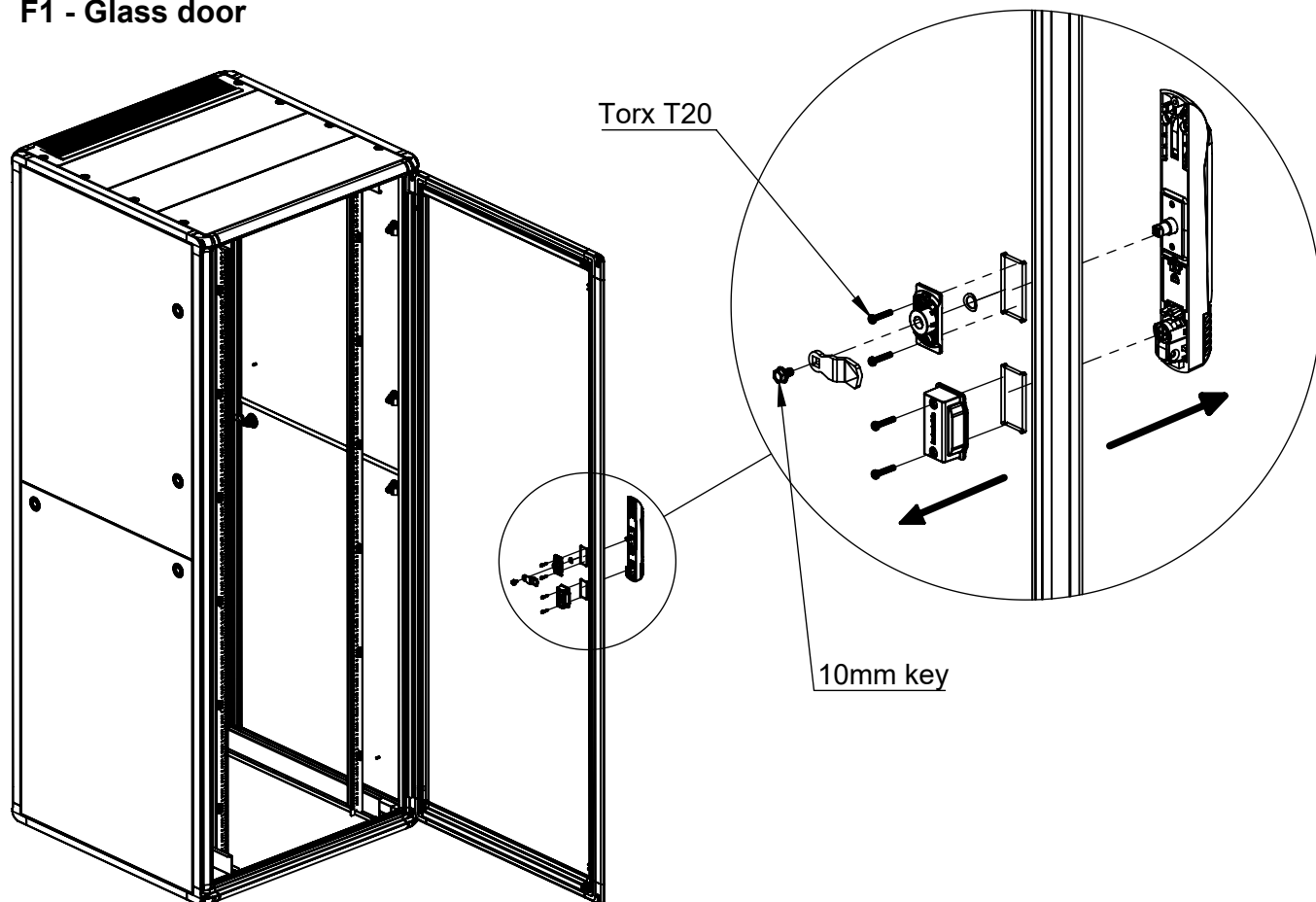
50891 / LS 94 PD



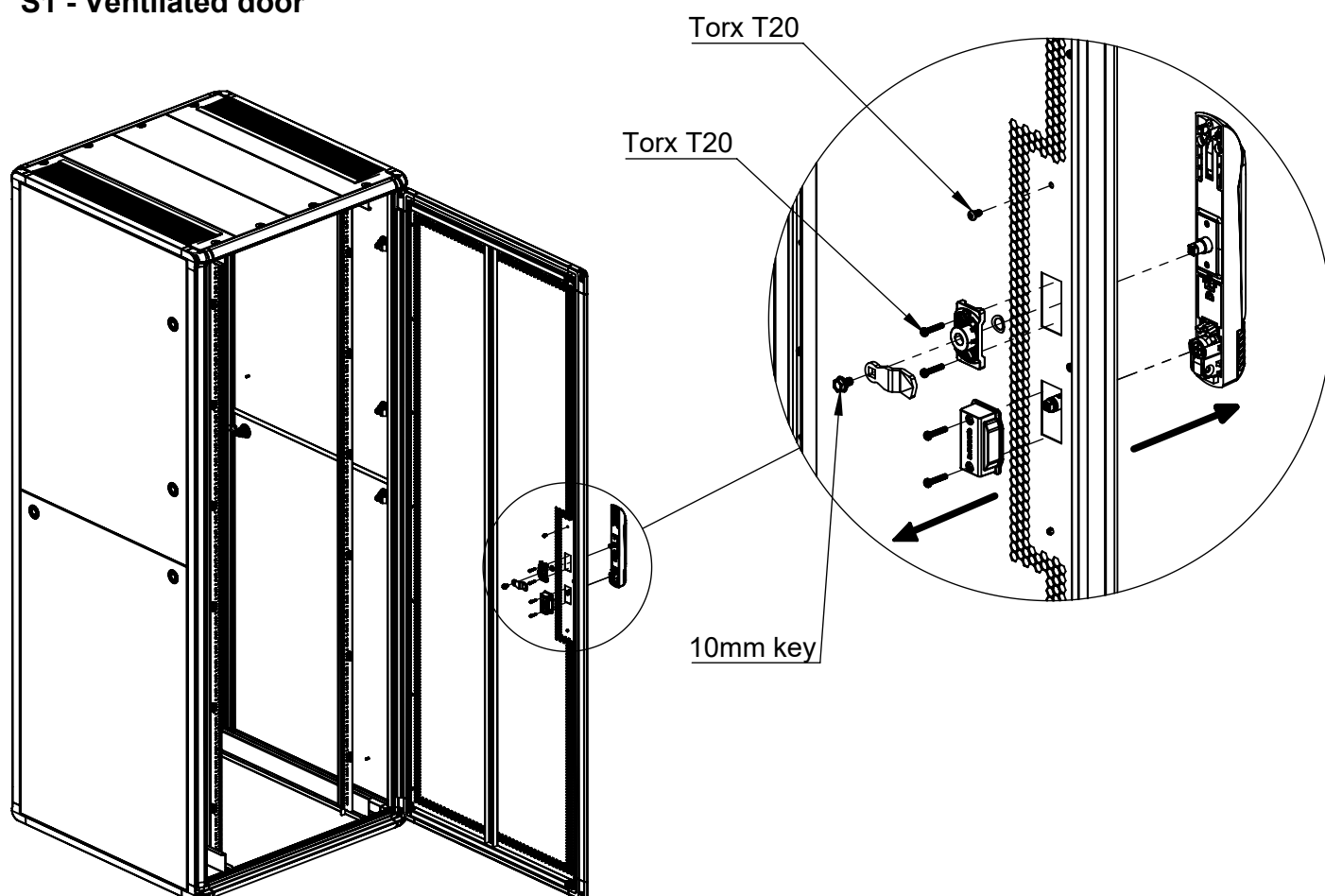
50893 / LS 103 PD



**1. Remove current lock from cabinet
F1 - Glass door**

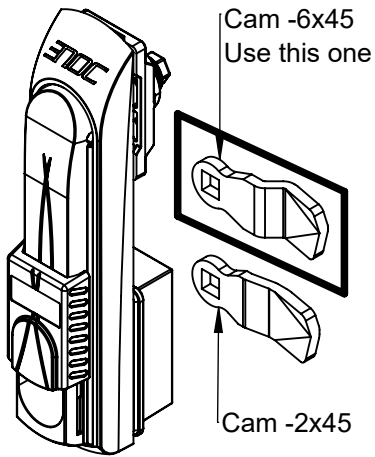


**Remove current lock from cabinet
S1 - Ventilated door**



**2. Install new locking handle
F1 - Glass door**

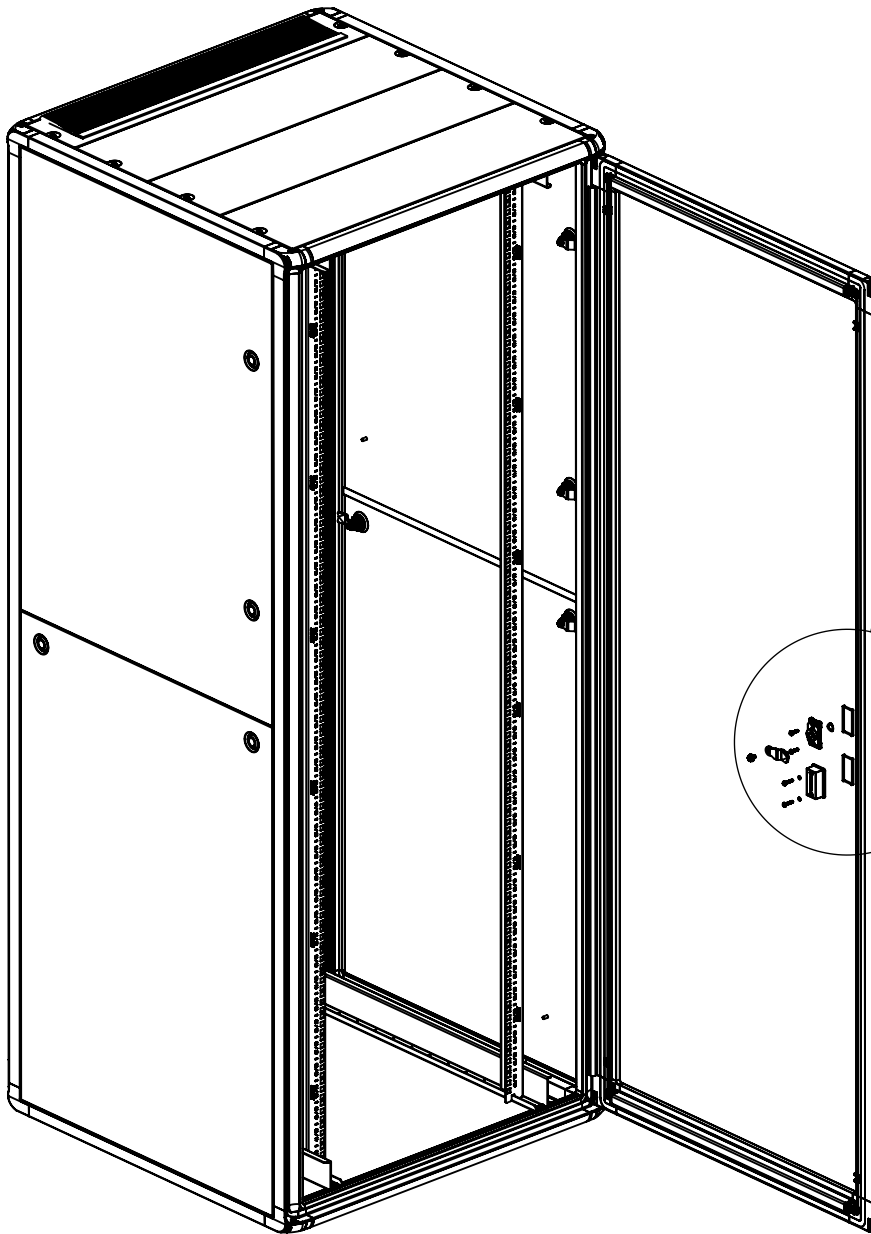
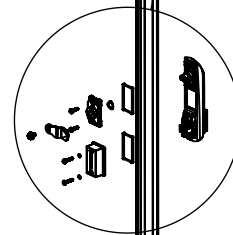
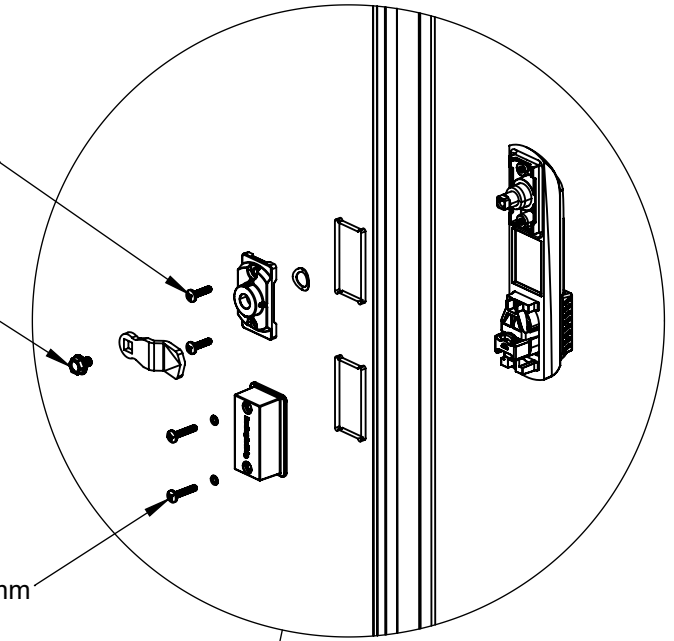
Note! Same installation step on
all LS 92 / 93 / 94 / 103 GD handles



PZ Pozidrive
Screw length 16mm

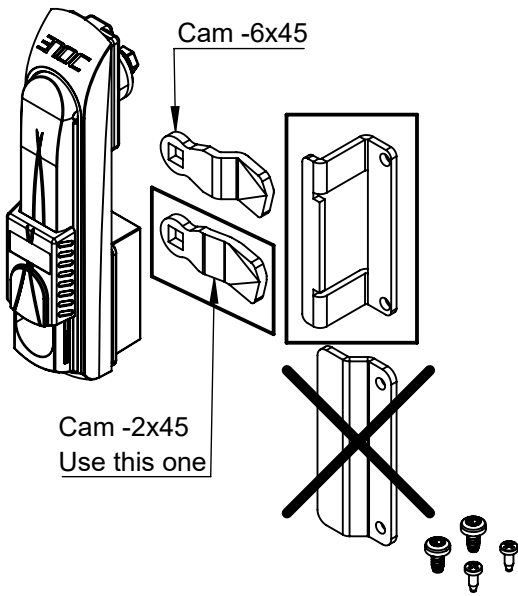
10mm key

PZ Pozidrive
Screw length 20mm



**2. Install new locking handle
S1 - Ventilated door
Step 1/2 Handle**

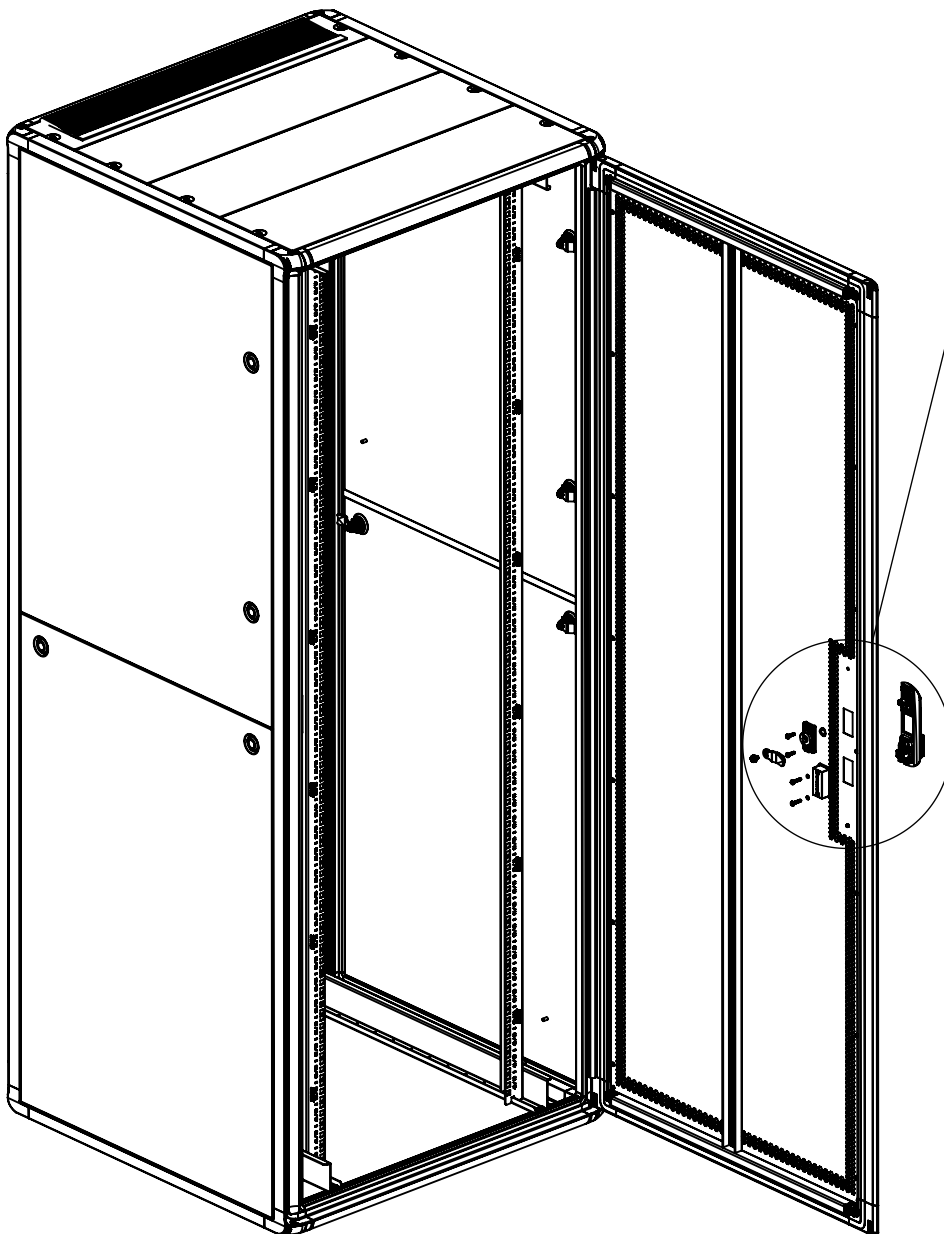
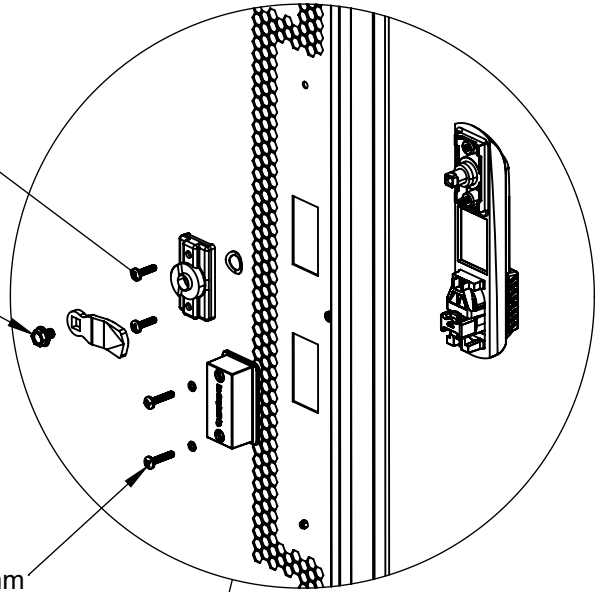
Note! Same installation step on
all LS 92 / 93 / 94 / 103 PD handles



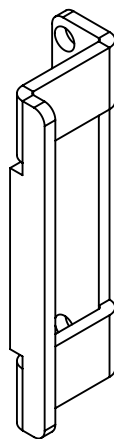
PZ Pozidrive
Screw length 16mm

10mm key

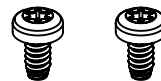
PZ Pozidrive
Screw length 20mm



2. Install new locking handle
S1 - Ventilated single door
Step 2/2 Cam guide

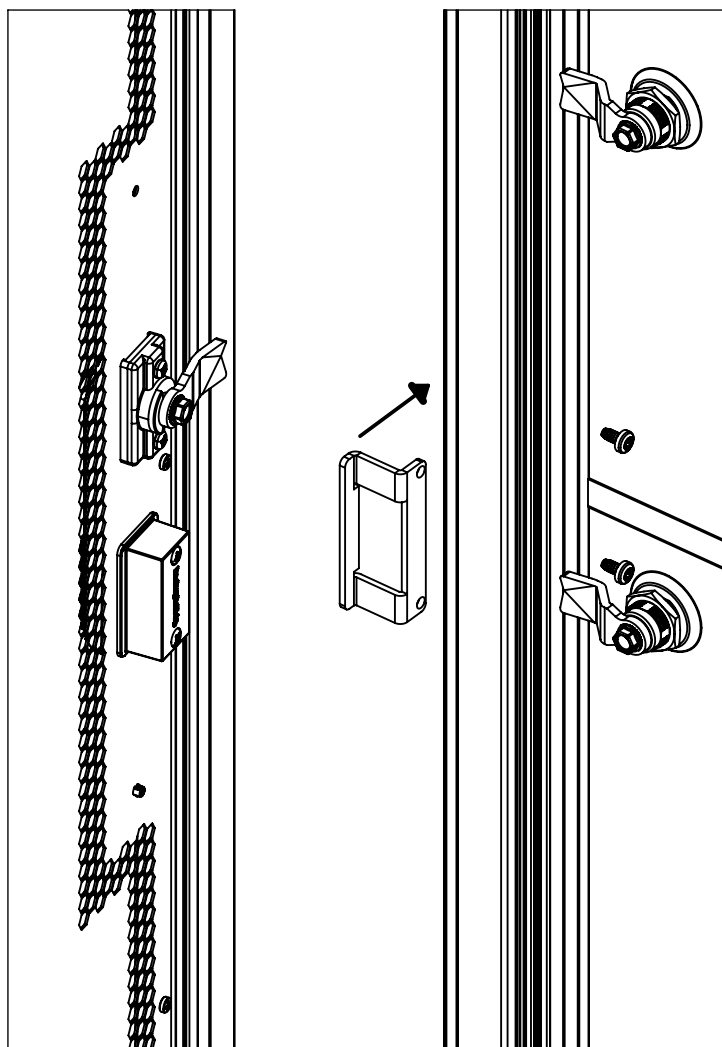


Cam guide
Single door



Screw
DG Eject 5x9.5 (2pcs)

1. Place cam guide on corner post.



2. Screw it in place.
See dimension from cam.

