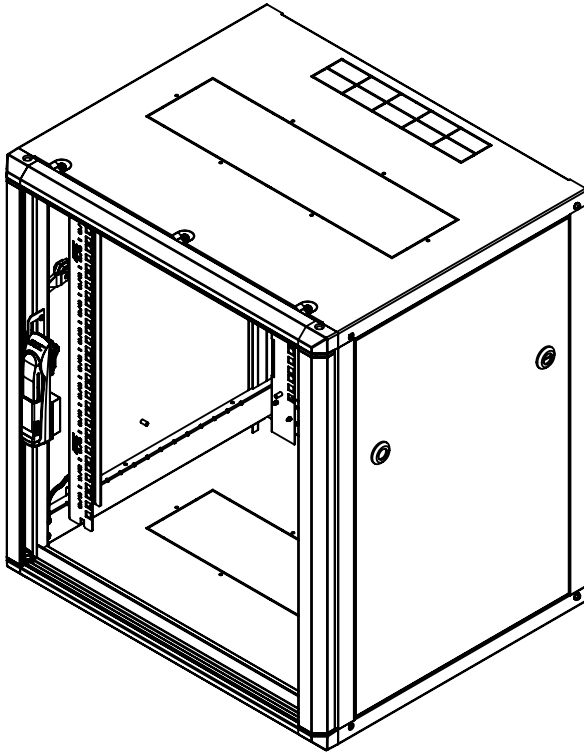
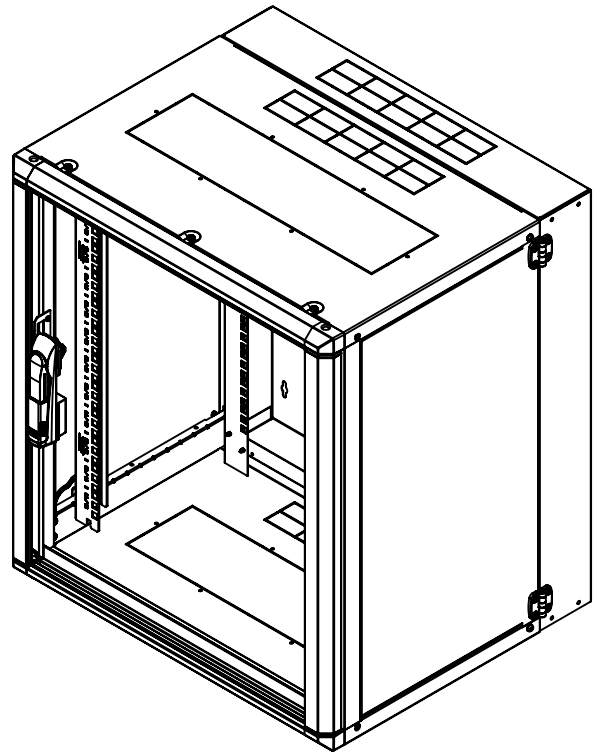


W2

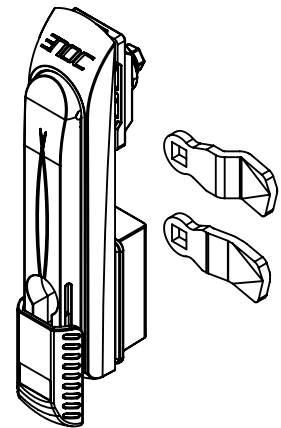


Wr2

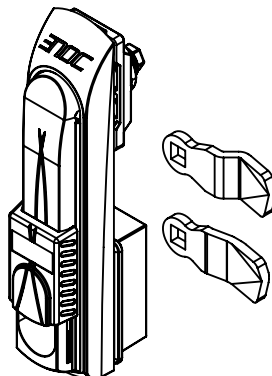


### Locking options

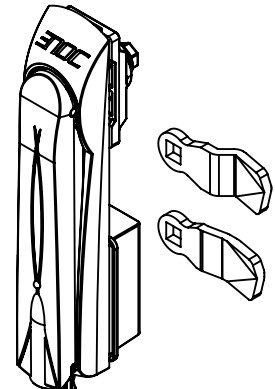
50890 / LS 94 GD



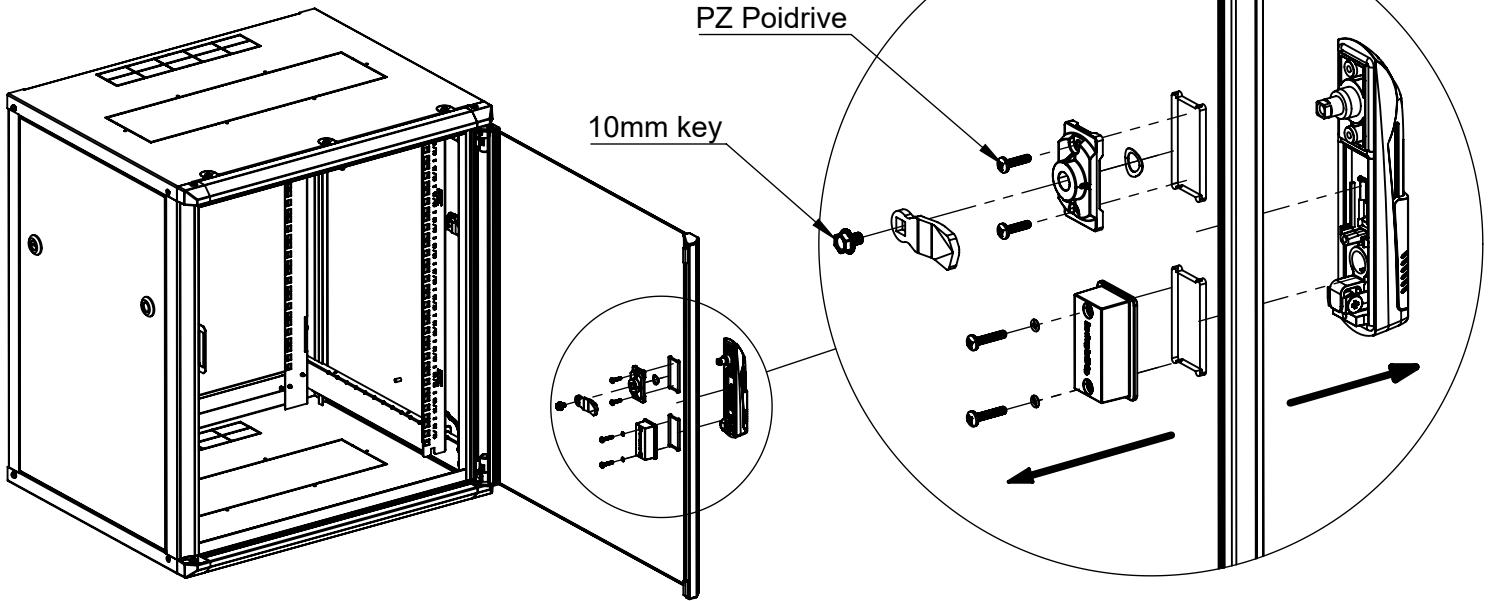
50888 / LS 93 GD



50892 / LS 103 GD



## 1. Remove current lock from cabinet



## 2. Install new locking handle

