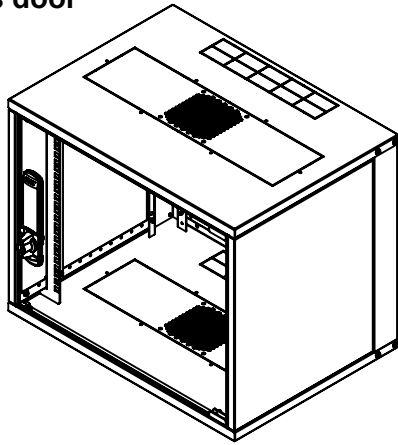
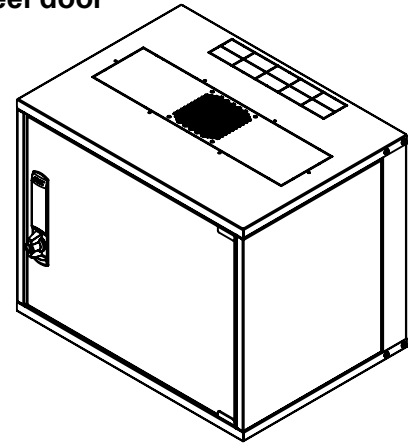


## W3 GD - With glass door

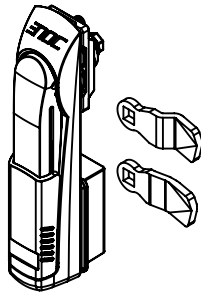


## W3 PD / VD - With steel door

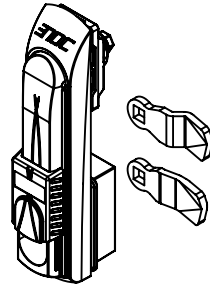


## Locking options - Glass door

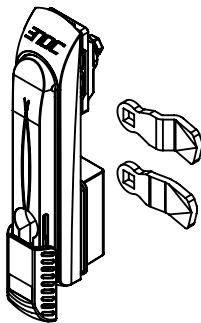
50845 / LS 92 GD



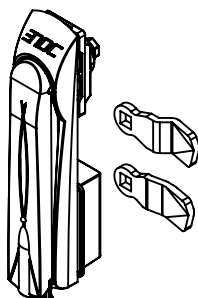
50888 / LS 93 GD



50890 / LS 94 GD

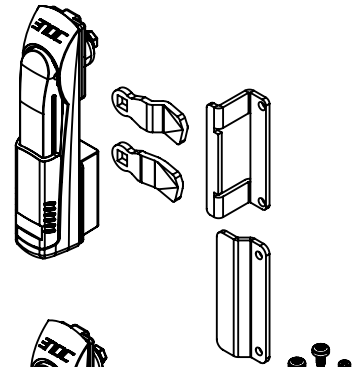


50892 / LS 103 GD

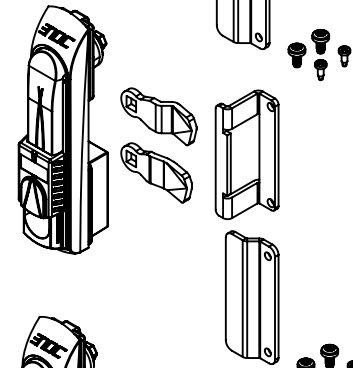


## Locking options - Steel door

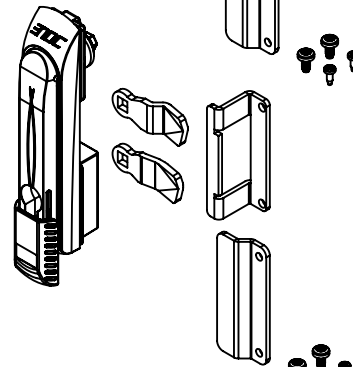
50846 / LS 92 PD



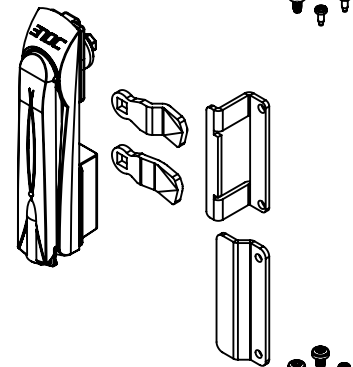
50889 / LS 93 PD



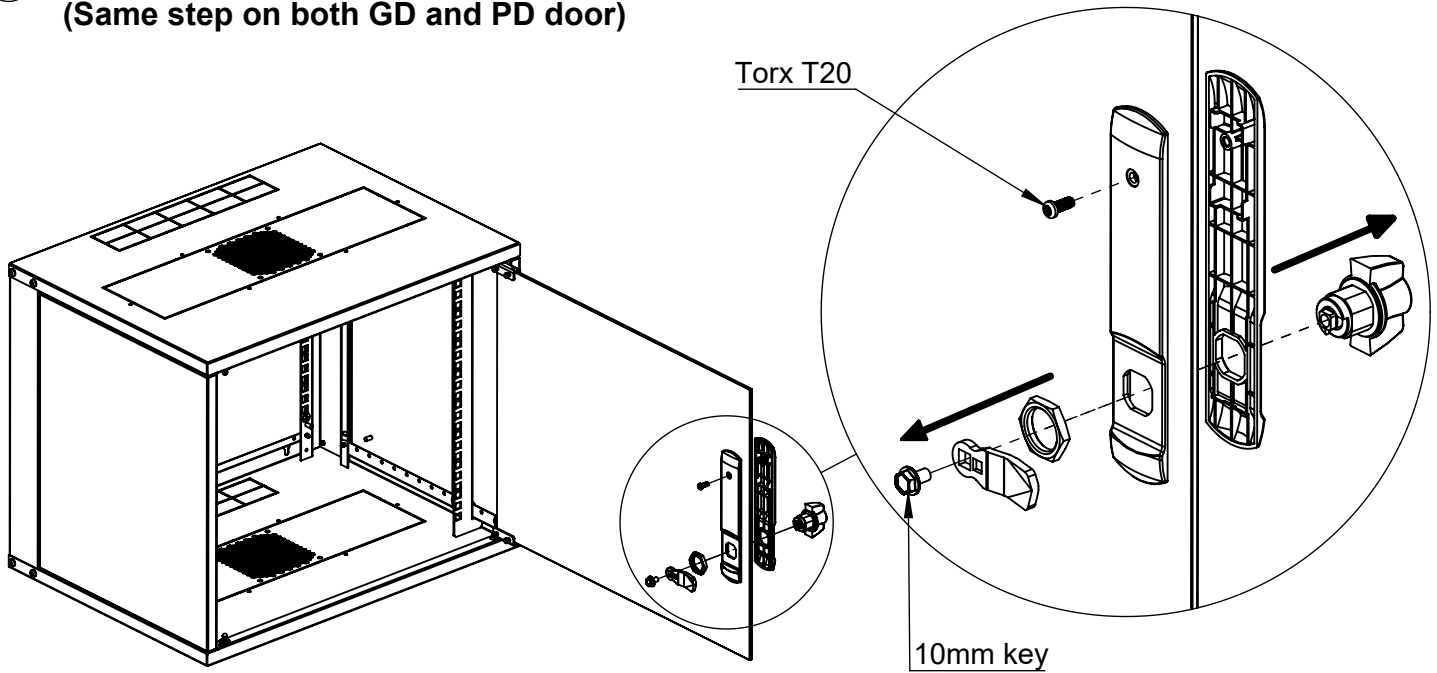
50891 / LS 94 PD



50893 / LS 103 PD

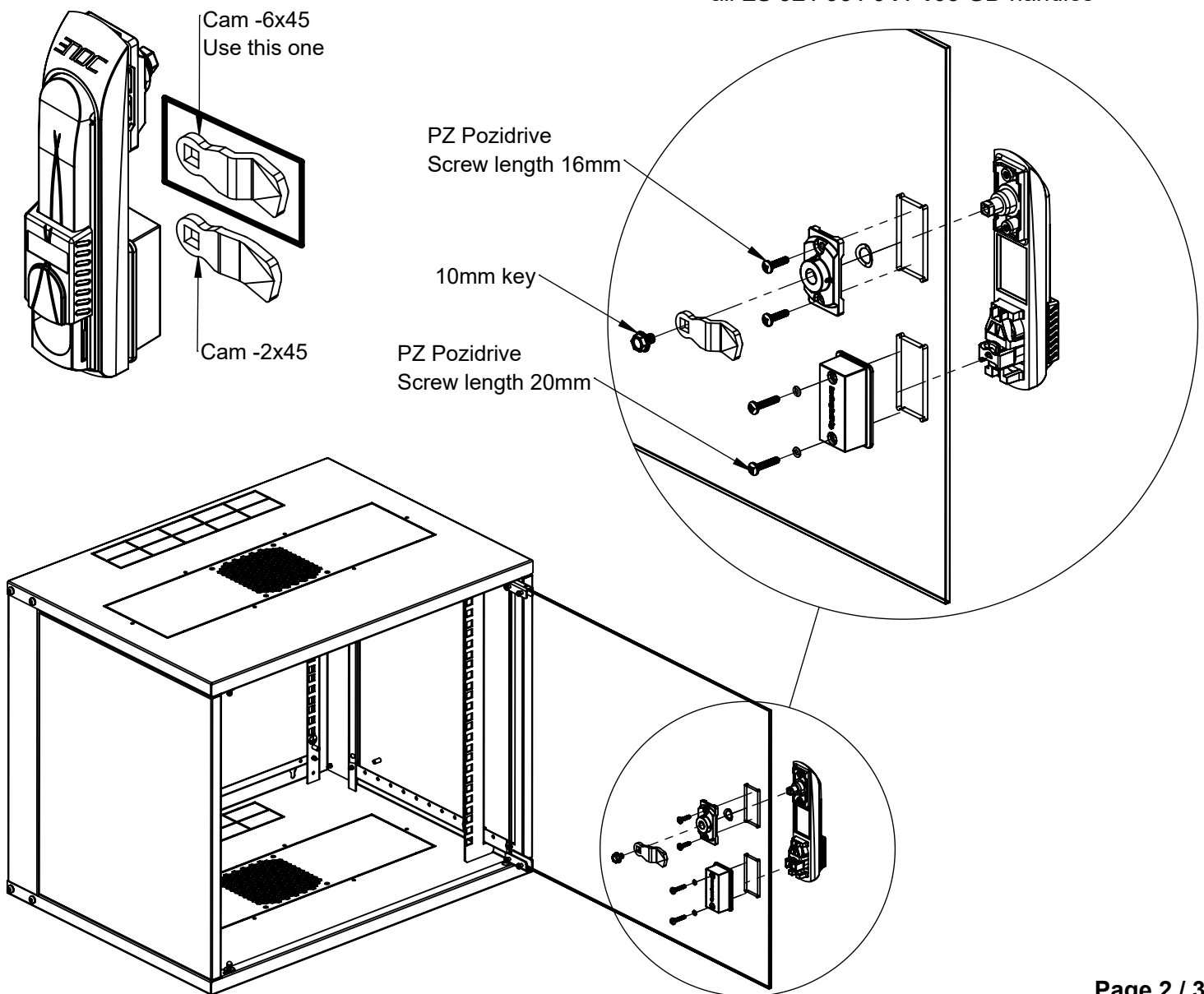


**1. Remove current lock from cabinet  
(Same step on both GD and PD door)**

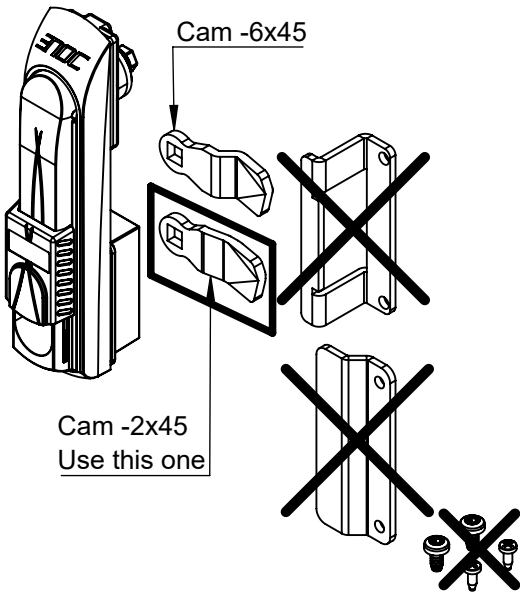


**2. Install new locking handle  
W3 GD - Glass door**

**Note!** Same installation step on all LS 92 / 93 / 94 / 103 GD handles



**3. Install new locking handle  
W3 PD - Steel door**



**Note!** Same installation step on  
all LS 92 / 93 / 94 / 103 GD handles

