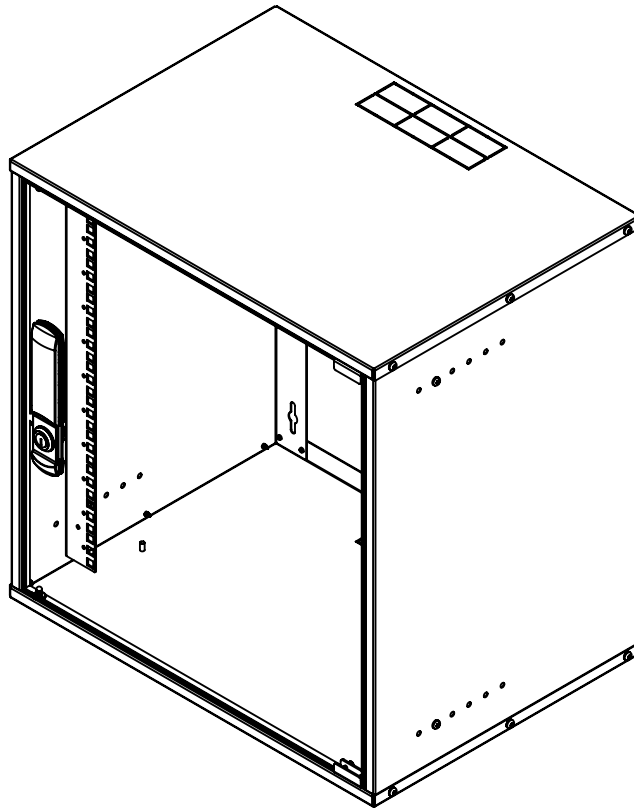
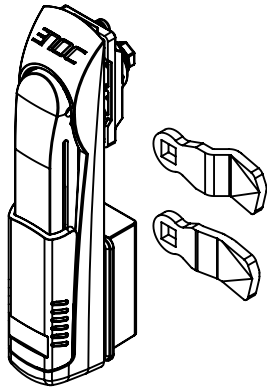


W5

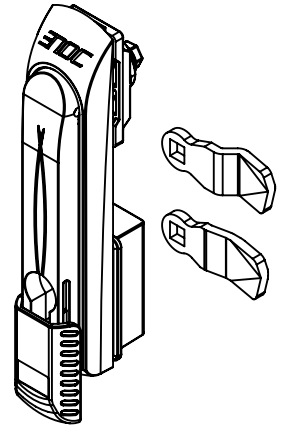


### Locking options

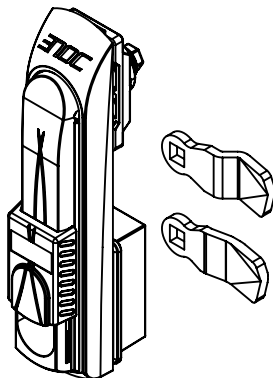
50845 / LS 92 GD



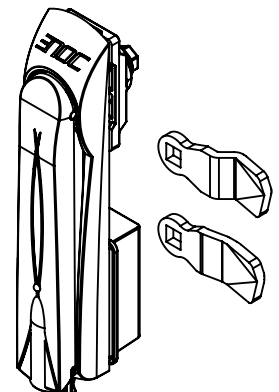
50890 / LS 94 GD



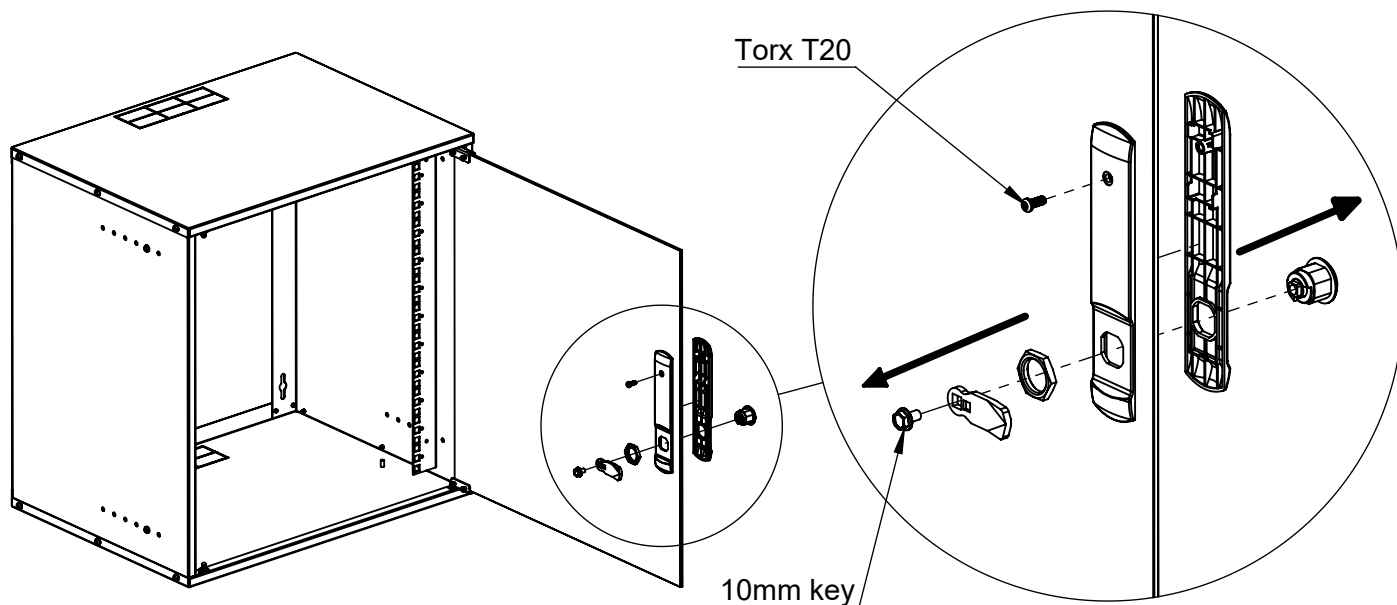
50888 / LS 93 GD



50892 / LS 103 GD



# 1. Remove current lock from cabinet



# 2. Install new locking handle

